



ASTRO FI™

INSTRUCTION MANUAL

MODEL # 22204



5-inch Schmidt-Cassegrain



Astro Fi TELESCOPE

WHAT'S IN THE BOX

We recommend saving your telescope box so it can be used to store the telescope when it is not in use. Unpack the box carefully as some parts are small. Use the parts list below to verify that all parts and accessories are present.

PARTS LIST



Fig. 1

SOLAR WARNING

Never look directly at the Sun with the naked eye or with a telescope (unless you have the proper solar filter). Permanent and irreversible eye damage may result.

Never use your telescope to project an image of the Sun onto any surface. Internal heat build-up can damage the telescope and any accessories attached to it.

Never use an eyepiece solar filter or a Herschel wedge. Internal heat build-up inside the telescope can cause these devices to crack or break, allowing unfiltered sunlight to pass through to the eye.

Do not leave the telescope unsupervised, either when children are present or adults who may not be familiar with the correct operating procedures of your telescope.

PREREQUISITES

Your Astro Fi Telescope requires one of the following power sources:

- 8 x AA batteries
- 12 volt DC source with at least 1 ampere of current
- Celestron PowerTank (Sold Separately)

You will also need a smartphone or tablet to operate the telescope. Compatible devices include Apple iPhone or iPad with iOS 6 or later, and Samsung smartphones or tablets with Android 4.0. Visit celestron.com for a complete compatibility list.

Before you begin, you'll need to install the free Celestron SkyPortal app on your device. Download the app from the App Store or Google Play.

ASSEMBLING YOUR TELESCOPE

You won't need tools to assemble the Astro Fi Telescope. Remove all the items from their packaging, then:

1. Open the tripod until the center brace is fully extended (Figure 2).
2. Thread the captive center bolt into the accessory tray (Figure 3).
3. Place the fork arm assembly on the tripod and secure it using the captive knob under the top of the tripod (Figure 4).
4. Attach the telescope optical tube by positioning the dovetail into the dovetail holder on the fork arm. Make sure the bottom of the dovetail is flat against the dovetail holder. Firmly tighten the thumb bolt. (Figure 5).
5. Adjust the tripod to a comfortable height and level it, using the lock knobs to secure each of the tripod legs.
6. Install eight AA batteries (not included) into the battery pack, noting the correct position for + and -. Leave the battery pack in the accessory tray.

NOTE: The accessory tray has a special holder suitable for your smartphone or small tablet.



THE EYEPIECES AND STAR DIAGONAL

The Astro Fi 5 comes with two eyepieces, a low power 25mm and a high power 10mm. The eyepiece you choose determines your magnification and field of view. Whenever you set up your telescope, always start with the 25 mm eyepiece. After locating your target, you can switch to the higher power 10 mm eyepiece to get a more detailed view. Your telescope also comes with a star diagonal. The star diagonal positions the eyepiece at a more comfortable 90 degree angle to the telescope and provide a right side up image, though the image will be mirror reversed left to right.



Fig. 6

Remove all dust caps, then insert the star diagonal into the visual back and tighten the 2 silver thumbscrews. Insert the 25 mm eyepiece and secure it by tightening the 2 thumbscrews on the star diagonal.

THE STARPOINTER FINDERSCOPE

Your telescope comes with a StarPointer red-dot finderscope that you will use as a sighting tool when aiming the telescope at a distant target.

To install your StarPointer Finderscope:

1. Locate the dovetail mount located on the top of the telescope tube.
2. Slide the base of the StarPointer over the dovetail mount on the telescope. Lock it in place by tightening the silver thumbscrew.



Fig. 7

ALIGNING THE STARPOINTER FINDERSCOPE

The first time you assemble your telescope, you will need to align the StarPointer finderscope with the main optics of the telescope. This step can be done without powering on the telescope. Although this step can be done out in the field at night, it is significantly easier to accomplish this outdoors in daylight. Once you have completed the finderscope alignment, you should not have to repeat this step unless the finderscope is bumped or dropped.

1. Take the telescope outside during the day and, using your naked eye, find an easily recognizable object, such as a streetlight, car license plate, or tall tree. The object should be as far away as possible, but preferably at least a quarter mile away.
2. Remove the main dust cover from the front of the telescope by pulling it straight off. Make sure your 25 mm eyepiece is installed in the focuser.
3. Do not try to move the telescope left and right while it is off. Move the assembled tripod so the telescope is pointed in the direction of the object you chose in step 1.
4. Look through the telescope and move it up and down until the object you chose lies in the center of the view. If the image is blurry, gently turn the focus knobs on either side of the telescope until it comes into sharp focus.

NOTE: The image you see in the eyepiece will appear mirror reversed. This is perfectly normal in an astronomical telescope.

5. Once the object is centered in your 25 mm eyepiece, turn on the Red Dot Finder by rotating the power switch knob on the right side of the finder clockwise. You will hear an audible click to confirm that the finder has been turned on. This knob also controls the brightness of the red dot. Turn the knob all the way to the end to make the dot as bright as possible.
6. With your head positioned about a foot behind the finder, look through the round window of the finder and locate the red dot. It will probably be close to, but not on top of, the object you see when you are looking through the 25 mm eyepiece.
7. Without moving the telescope, use the two adjustment knobs located on the side and underneath the StarPointer finderscope (Figure 8). One controls the left-right motion of the dot. The other controls the up-down motion of the dot. Adjust both until the red dot appears over the object you are observing in the 25 mm eyepiece.

Your StarPointer Finder is now aligned!

NOTE: Be sure to turn off the Starpointer Finder when not in use to conserve battery power.

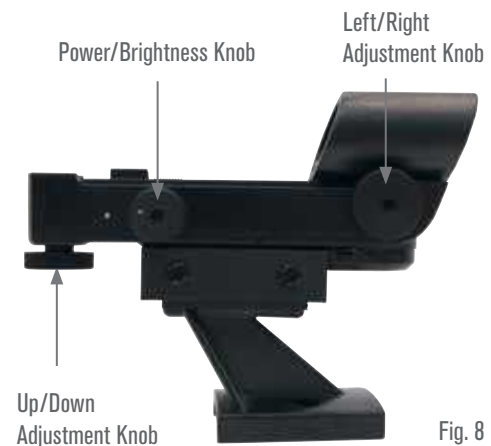


Fig. 8

GET READY TO OBSERVE

Now that your telescope is assembled and the StarPointer is aligned, let's connect it to your smartphone or tablet. We recommend you familiarize yourself with the telescope and app during the day before using it at night.

CAUTION: Remember to never point the telescope at the Sun during the day without using a proper full aperture solar filter!

1. Plug the battery pack into the power port on the base of the telescope, (Figure 9). The red WiFi light on the arm will light, indicating power and WiFi-ready status. Make sure the small switch near the power socket is in the RIGHT position as shown in the figure.
2. Go to your device's WiFi settings, and connect to the "Celestron-xx" network. Wait for your device to confirm that you have successfully connected.

Astro Fi TELESCOPE

3. Open Celestron Sky Portal and select “Connect to Telescope”. Arrows will appear on your screen for UP/DOWN and LEFT/RIGHT. These motions are referred to as altitude and azimuth, respectively.
4. Use the arrows to move your telescope. A slider will adjust the motor speed.



Fig. 9

WiFi switch on right position

Start by pointing at distant terrestrial objects. Locate something with your StarPointer first, then look at the object using the 25 mm eyepiece. Switch to the 10 mm eyepiece, and notice how it increases the magnification and decreases the field of view. When you change eyepieces, you may have to readjust the focus slightly to get the sharpest image.

Now that you are familiar with your telescope, you are ready to begin observing the night sky!

ALIGNING YOUR ASTRO FI

To take full advantage of your computerized Astro Fi 5, you must first align the telescope with the sky using the Celestron SkyPortal app. Once aligned, your telescope will automatically locate any celestial object you select on your screen! The telescope also automatically tracks objects in the sky as the Earth rotates. This keeps objects centered in the eyepiece, and makes it easy to share views with family and friends.

1. Set up your telescope as you did during the day. Make sure your 25 mm eyepiece is installed. Set the tripod to a comfortable height and level it. Plug the battery pack into the power port on the telescope.
2. Connect to the “Celestron-xx” WiFi network. Open the SkyPortal app and confirm the time and location on your screen. This should automatically update from your device, but if it does not, you can go into the app settings and update this manually. Select the telescope icon at on your screen, then press “Connect and Align”.

The app will now walk you through each step. Simply follow the on-screen instructions.

TAKE YOUR ASTRO FI OUT FOR A SPIN!

Now that your Astro Fi is aligned, the SkyPortal app will guide you through the universe using its interactive planetarium. Hold your device up to the sky, and you will easily be able to identify bright stars, constellations, planets and deep space objects outside of our Solar System. SkyPortal will point your telescope at any of these objects. Simply tap the object on your screen, and select “GoTo.” You can also select the search icon to enter an object name, such as “Orion Nebula”, “Jupiter”, or “Pleiades.”

IMAGING WITH YOUR SMARTPHONE

Now that you have observed with your telescope, the next step is taking a picture of what you are seeing. Your telescope has a smartphone adapter built right into the lens cap. To use this feature:

1. Start by pulling the orange plug out of the camera opening in the lens cap. You can do this by pulling on the orange rubber lanyard located on the inside of the lens cap. The plug should pop right out. The plug and lanyard can be stowed out of the way by pressing the lanyard into the retaining clip located on the back of the lens cap next to the eyepiece holder.



2. Turn the cap so that the outside of the cap is facing upward. Lift the bungee straps and slide your smartphone between the straps and the lens cap so that the camera is looking through the camera opening. The straps should give plenty of tension to hold the device against the cap and the black silicon ring will give enough friction to prevent the phone from sliding around.



HINT: Depending on the design of your smartphone, the camera may be in the middle of the device or in one corner. You may want to change the angle of the bungee straps to better secure the phone. There are eight different anchor points to choose from around the edge of the lens cap. Simply reposition them to different anchor points to achieve the best results.

3. Turn the cap over and make sure your camera lens is centered in the opening in the lens cap. The better you have this centered, the easier it will be to take images through the telescope.



4. Loosen the set screws located on the eyepiece holder on the inside of the lens cap. Place the black portion of the eyepiece into the eyepiece holder and tighten the screws to secure the eyepiece in place.



5. Now take the lens cap with the phone and eyepiece attached and insert the chrome barrel of the eyepiece into the diagonal on the back of the telescope's focuser. Secure it in place by tightening the set screws on the diagonal.

6. Activate your camera app on your smartphone and adjust the focus, just as you would the eyepiece, this time using the image that appears on your screen.

NOTE: Make sure you turn the phone's flash off.

7. When the image appears sharp snap your image.

It is best to try this in the daytime first, then, once everything is setup correctly, take it outside and try shooting the Moon. Once you have practiced and are comfortable using the 20 mm eyepiece, try using the camera adapter with the 10 mm eyepiece for higher magnification.



IMAGING TIPS AND TRICKS

Camera Controls

The standard camera apps that come preinstalled with your smartphone offer very rudimentary controls and are designed to automatically adjust focus and exposure. This is not a problem for everyday photography such as landscapes or portraits, but can be a problem for imaging a planet or the Moon where you have a very bright object against a very black sky. The phone's camera tries to compensate for the imbalance of lighting by brightening up the dark areas, but this causes the bright areas to overexpose and blow-out the details. If your camera app settings do not allow you to manually select the focus point or have an option to disable the autofocus or auto-exposure, you may want to consider using a different camera app. You can find lots of aftermarket apps for iOS and Android that offer a greater amount of control for your camera. Many of these are free.

Vibration

To help eliminate any vibration induced when you touch the camera to snap the image, try using a shutter delay. Some apps offer a 2, 5, or 10 second delay before snapping the image. This will give the vibrations a chance to dissipate before actually taking the images.

Subjects to Shoot

Using this method, you should be able to take images of daytime terrestrial objects and nighttime astronomical images of the Moon and bright planets (Venus, Mars, Jupiter and Saturn). Unfortunately, smartphone camera sensors are not designed to work well in very low light, so it will not be possible to capture faint astronomical objects such as galaxies or nebulae in this manner.

Magnification

When looking at the Moon or planets with a stationary telescope, you will notice that the object appears to drift across the field of view. This is actually caused by the Earth's rotation. If you were looking visually through your 20 mm eyepiece, a planet would take approximately 3.0 minutes to drift across the entire eyepiece's field of view. If you are using the 10 mm eyepiece, it would only take 1.5 minutes. The smartphone does not use the entire eyepiece's field of view and only uses the center of it, making the motion appear even faster. When centering an astronomical object in the phone's field of view, try leading the target. Try to point the scope ahead of the planet so that it is just entering the field of view. This will maximize the amount of time it takes to drift across the entire field, allowing you more time to take images before needing to re-aim the telescope. The 10 mm will have a narrower field of view and will need to be adjusted more often as a result. Working with the 20 mm eyepiece will be easier at the start. Once you are comfortable with it, try stepping up to the 10 mm eyepiece.

ADDITIONAL RESOURCES

How to Contact Celestron

For assistance with this product, please contact our Technical Support department at (310) 328-9560, or you may contact Celestron Support online by going to our website (www.celestron.com) and clicking on the "Support" tab at the top of the page. Here, you may search through a comprehensive database of frequently asked questions or submit a request for assistance.

Written correspondence may be sent to:

Celestron • 2835 Columbia Street • Torrance, CA 90503

SPECIFICATIONS

SKU #	22204	
Optical Design	Schmidt-Cassegrain	
Aperture	125 mm (4.9")	
Focal Length	1250 mm	
Focal Ratio	f/10	
Optical Coatings	StarBright XLT	
Eyepiece / Magnification	25 mm Kellner (1.25") / 50x; 10 mm Kellner (1.25") / 125x	
Finderscope	StarPointer Red-Dot Finderscope	
Resolution	Rayleigh: 1.11 arc seconds / Dawes Limit: 0.93 arc seconds	
Light Gathering Power	329x the unaided eye	
Highest Useful Magnification	295x	
Lowest Useful Magnification	18x	
Limiting Stellar Magnitude	13	
Tripod	Adjustable-height aluminum	
Warranty	2-Years	
Optical Tube Length	13 inches (33 cm)	
Total Telescope Kit Weight	14.2 lbs	



NOTES

CELESTRON TWO YEAR LIMITED WARRANTY

A. Celestron warrants your telescope to be free from defects in materials and workmanship for two years. Celestron will repair or replace such product or part thereof which, upon inspection by Celestron, is found to be defective in materials or workmanship. As a condition to the obligation of Celestron to repair or replace such product, the product must be returned to Celestron together with proof-of-purchase satisfactory to Celestron.

B. The Proper Return Authorization Number must be obtained from Celestron in advance of return. Call Celestron at (310) 328-9560 to receive the number to be displayed on the outside of your shipping container.

All returns must be accompanied by a written statement setting forth the name, address, and daytime telephone number of the owner, together with a brief description of any claimed defects. Parts or product for which replacement is made shall become the property of Celestron.

The customer shall be responsible for all costs of transportation and insurance, both to and from the factory of Celestron, and shall be required to prepay such costs.

Celestron shall use reasonable efforts to repair or replace any telescope covered by this warranty within thirty days of receipt. In the event repair or replacement shall require more than thirty days, Celestron shall notify the customer accordingly. Celestron reserves the right to replace any product which has been discontinued from its product line with a new product of comparable value and function.

This warranty shall be void and of no force of effect in the event a covered product has been modified in design or function, or subjected to abuse, misuse, mishandling or unauthorized repair. Further, product malfunction or deterioration due to normal wear is not covered by this warranty.

CELESTRON DISCLAIMS ANY WARRANTIES, EXPRESS OR IMPLIED, WHETHER OF MERCHANTABILITY OF FITNESS FOR A PARTICULAR USE, EXCEPT AS EXPRESSLY SET FORTH HEREIN. THE SOLE OBLIGATION OF CELESTRON UNDER THIS LIMITED WARRANTY SHALL BE TO REPAIR OR REPLACE THE COVERED PRODUCT, IN ACCORDANCE WITH THE TERMS SET FORTH HEREIN. CELESTRON EXPRESSLY DISCLAIMS ANY LOST PROFITS, GENERAL, SPECIAL, INDIRECT OR CONSEQUENTIAL DAMAGES WHICH MAY RESULT FROM BREACH OF ANY WARRANTY, OR ARISING OUT OF THE USE OR INABILITY TO USE ANY CELESTRON PRODUCT. ANY WARRANTIES WHICH ARE IMPLIED AND WHICH CANNOT BE DISCLAIMED SHALL BE LIMITED IN DURATION TO A TERM OF TWO YEARS FROM THE DATE OF ORIGINAL RETAIL PURCHASE.

Some states do not allow the exclusion or limitation of incidental or consequential damages or limitation on how long an implied warranty lasts, so the above limitations and exclusions may not apply to you.

This warranty gives you specific legal rights, and you may also have other rights which vary from state to state.

Celestron reserves the right to modify or discontinue, without prior notice to you, any model or style telescope.

If warranty problems arise, or if you need assistance in using your telescope contact:

Celestron
Customer Service Department Tel. (310) 328-9560
2835 Columbia Street Fax. (310) 212-5835
Torrance, CA 90503 Monday-Friday 8AM-4PM PST

NOTE: This warranty is valid to U.S.A. and Canadian customers who have purchased this product from an authorized Celestron dealer in the U.S.A. or Canada. Warranty outside the U.S.A. and Canada is valid only to customers who purchased from a Celestron's International Distributor or Authorized Celestron Dealer in the specific country. Please contact them for any warranty service.



FCC NOTE: This equipment has been tested and found to comply with the limits for a Class B digital device, pursuant to part 15 of the FCC Rules. These limits are designed to provide reasonable protection against harmful interference in a residential installation. This equipment generates, uses, and can radiate radio frequency energy and, if not installed and used in accordance with the instructions, may cause harmful interference to radio communications. However, there is no guarantee that interference will not occur in a particular installation. If this equipment does cause harmful interference to radio or television reception, which can be determined by turning the equipment off and on, the user is encouraged to try to correct the interference by one or more of the following measures:

- Reorient or relocate the receiving antenna.
- Increase the separation between the equipment and receiver.
- Connect the equipment into an outlet on a circuit different from that to which the receiver is connected.
- Consult the dealer or an experienced radio/TV technician for help.

Product design and specifications are subject to change without prior notification.
This product is designed and intended for use by those 14 years of age and older.



© 2018 Celestron • All rights reserved
www.celestron.com
2835 Columbia Street • Torrance, CA 90503 U.S.A.
Telephone: 800.421.9649

22204

01-18

Printed in China



ASTRO FI™

MODE D'EMPLOI

MODÈLES N°. 22204



5 Pouces Schmidt-Cassegrain



Astro Fi TELESCOPE

VOUS TROUVEREZ DANS LA BOÎTE

Nous vous recommandons de conserver votre boîte de télescope afin de pouvoir l'utiliser pour son rangement lorsqu'il n'est pas utilisé. Déballez le contenu de la boîte avec soin, car certaines pièces sont petites. Utilisez la liste des pièces ci-dessous pour vous assurer que toutes les pièces et tous les accessoires sont inclus dans la boîte.

LISTE DES PIÈCES



Fig. 1

AVERTISSEMENT CONCERNANT LE SOLEIL

Ne regardez jamais directement le soleil à l'œil nu ou avec un télescope, à moins d'utiliser un filtre adapté. Cela pourrait entraîner des lésions oculaires permanentes et irréversibles.

Ne jamais utiliser votre télescope pour projeter une image du Soleil sur n'importe quelle surface. L'augmentation de la température dans le télescope peut endommager ce dernier et les accessoires qui y sont attachés.

Ne jamais utiliser un filtre solaire d'oculaire ou une cale de Herschel. La concentration de chaleur au sein du télescope peut entraîner des dommages à ces accessoires, laissant la lumière du Soleil non filtrée arriver directement à vos yeux.

Ne laissez pas le télescope sans surveillance en présence d'enfants ou d'adultes qui ne sont pas familiarisés avec les procédures pour le faire fonctionner correctement.

CONDITIONS PRÉALABLES

Votre télescope Astro Fi nécessite l'une des sources d'alimentation suivantes :

- 8 piles AA
- Une prise d'alimentation CC 12 volts avec courant d'au moins 1 ampère
- PowerTank Celestron (Vendu séparément)

Vous aurez également besoin d'un téléphone intelligent ou d'une tablette pour faire fonctionner le télescope. Parmi les appareils compatibles l'on retrouve l'iPhone ou l'iPad d'Apple avec iOS 6 ou une version plus récente, et les téléphones intelligents ou tablettes Samsung avec Android 4.0. Visitez www.celestron.com pour consulter la liste complète des appareils compatibles.

Avant de commencer, vous devrez installer l'application gratuite Celestron SkyPortal sur votre appareil. Téléchargez l'application depuis l'App Store ou Google Play.

ASSEMBLAGE DE VOTRE TÉLESCOPE

Vous n'aurez pas besoin d'outils pour assembler le télescope Astro Fi. Retirez tous les articles de leur emballage, puis :

1. Ouvrez le trépied jusqu'à l'extension complète de l'entretoise centrale (Figure 2).
2. Vissez le boulon central de retenue dans le plateau pour accessoires (Figure 3).
3. Placez le bras de fourche sur le trépied et fixez-le en utilisant la molette de retenue argentée sous la partie supérieure du trépied (Figure 4).
4. Fixez le tube optique du télescope en positionnant la queue d'aronde dans le support de queue d'aronde situé sur le bras de fourche. Assurez-vous que le dessous de la queue d'aronde est à plat contre le support de queue d'aronde. Serrez fermement la vis à serrage à main. (Figure 5)
5. Ajustez le trépied à une hauteur confortable et mettez-le à niveau, en utilisant les molettes de verrouillage pour bien fixer en place chaque pied du trépied.
6. Installez huit piles AA (non comprises) dans le bloc-piles, en respectant la polarité indiquée + et -. Laissez le bloc-piles dans le plateau pour accessoires.

NOTE : Le plateau pour accessoires est doté d'un support spécial adapté à votre téléphone intelligent ou petite tablette.



LES OCULAIRES ET LE RENVOI COUDÉ

L'Astro Fi 5 est livré avec deux oculaires, un oculaire faible puissance de 25 mm et un oculaire de plus grande puissance de 10 mm. L'oculaire que vous choisissez détermine votre grossissement et champ de vision. Chaque fois que vous installez votre télescope, commencez toujours par l'oculaire de 25 mm. Après avoir localisé votre cible, vous pouvez alors installer l'oculaire de puissance plus élevée de 10 mm pour obtenir une vue plus détaillée. Votre télescope est également livré avec une diagonale en étoile. La diagonale en étoile permet de positionner l'oculaire selon un angle plus confortable de 90° par rapport au télescope et relaye une image correctement orientée verticalement, qui sera cependant inversée horizontalement.



Fig. 6

Retirez tous les capuchons de protection, puis insérez le renvoi coudé dans le support d'oculaire et serrez les 2 vis à serrage à main. Insérez l'oculaire de 25 mm et fixez-le bien en place en serrant les 2 vis à main sur la diagonale en étoile.

LE CHERCHEUR STARPOINTER

Votre télescope est livré avec un chercheur à point rouge StarPointer que vous utiliserez comme outil d'observation lorsque vous pointerez le télescope en direction d'une cible éloignée.

Pour installer votre chercheur StarPointer :

1. Localiser la queue d'aronde montage situé sur la partie supérieure du tube du télescope.
2. Faites glisser la base du StarPointer sur la queue d'aronde monter sur le télescope. Verrouillez-le en place en serrant la vis à main argentée.



Fig. 7

ALIGNEMENT DU CHERCHEUR STARPOINTER

La première fois que vous assemblez votre télescope, vous devrez aligner le chercheur StarPointer avec le système optique principal du télescope. Cette étape peut s'effectuer sans allumer le télescope. Bien que cette étape puisse être effectuée sur le terrain pendant la nuit, il est beaucoup plus facile de l'effectuer à l'extérieur en plein jour. Une fois que vous avez terminé l'alignement du chercheur, vous ne devriez pas avoir à répéter cette étape à moins que le chercheur ait été déplacé ou retiré.

1. Apportez le télescope à l'extérieur et, à l'œil nu, trouvez un objet facilement reconnaissable, comme un lampadaire, une plaque d'immatriculation de voiture ou un grand arbre. L'objet doit être le plus loin possible, de préférence à au moins un quart de mille (400 m ou plus).
2. Retirez le principal étui de protection depuis l'avant du télescope en le tirant de manière rectiligne. Assurez-vous que votre oculaire de 25 mm est installé dans l'ensemble de mise au point.
3. N'essayez pas de faire bouger le télescope vers la gauche ou la droite lorsqu'il est éteint. Positionnez le trépied de manière à ce que le télescope pointe vers l'objet que vous avez choisi à l'étape 1.
4. Regardez à travers le télescope et déplacez-le manuellement vers le haut ou le bas jusqu'à ce que l'objet que vous avez choisi apparaisse au centre. Si l'image est floue, tournez tout doucement les molettes de mise au point de chaque côté du télescope jusqu'à ce que l'image soit nette.

NOTE : L'image que vous voyez dans l'oculaire apparaîtra inversée en miroir. C'est tout à fait normal avec les télescopes astronomiques.

5. Une fois que l'objet est centré dans votre oculaire de 25 mm, allumez le chercheur à point rouge en tournant dans le sens horaire le bouton de l'interrupteur d'alimentation situé sur le côté droit du viseur. Vous entendrez un déclic confirmant que le chercheur a été allumé. Ce bouton permet aussi le réglage de la luminosité du point rouge. Tournez le bouton jusqu'au bout pour rendre le point aussi brillant que possible.
6. Positionnez vos yeux à environ 30 cm (1 pied) derrière le chercheur, regardez par la fenêtre ronde du chercheur et localisez le point rouge. Il sera probablement près de, mais pas exactement sur l'objet que vous voyez lorsque vous regardez à travers l'oculaire de 25 mm.
7. Sans déplacer le télescope, utilisez les deux molettes de réglage situées sur le côté et en dessous du chercheur StarPointer (Figure). L'une d'elles commande le mouvement horizontal (gauche-droite) du point. L'autre commande le mouvement vertical (haut-bas) du point. Ajustez les deux molettes jusqu'à ce que le point rouge apparaisse sur l'objet que vous observez dans l'oculaire de 25 mm.

Votre chercheur StarPointer est maintenant aligné!

NOTE : N'oubliez pas d'éteindre le chercheur lorsqu'il n'est pas utilisé afin d'économiser les piles.

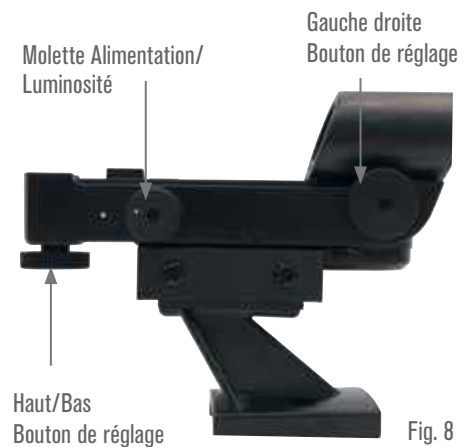


Fig. 8

PRÉPAREZ-VOUS POUR L'OBSERVATION

Maintenant que votre télescope est assemblé et que le StarPointer est aligné, connectez-le à votre téléphone intelligent ou tablette. Nous vous recommandons de vous familiariser avec le télescope et l'application pendant la journée avant de l'utiliser pendant la nuit.

ATTENTION: Ne jamais pointer le télescope vers le soleil pendant la journée sans utiliser un filtre solaire pleine taille!

1. Branchez le bloc-piles au port d'alimentation du télescope (Figure 9). Assurez-vous que le petit interrupteur près de la prise d'alimentation est en position DROITE comme indiqué sur la figure.
2. Allez dans le menu des paramètres Wi-Fi de votre appareil (smartphone ou tablette) et connectez-vous au réseau « Celestron-xx ». Attendez que votre appareil vous confirme que la connexion s'est correctement effectuée.

Astro Fi TELESCOPE

3. Ouvrez Celestron Sky Portal et sélectionnez « Se connecter au télescope ». Des flèches - HAUT/BAS et GAUCHE/DROITE apparaîtront à votre écran. Ces mouvements sont respectivement appelés mouvements en altitude et en azimut.
4. Utilisez les flèches pour déplacer votre télescope. Un curseur réglerà la vitesse du moteur.



Fig. 9

Interrupteur Wi-Fi en position droite

Commencez en pointant des objets terrestres éloignés.

Localisez d'abord quelque chose avec votre StarPointer, puis regardez l'objet à l'aide de l'oculaire de 25 mm. Passez à l'oculaire de 10 mm et remarquez comment il augmente le grossissement et diminue le champ de vision. Lorsque vous changez d'oculaires, vous devrez peut-être légèrement réajuster la mise au point pour obtenir une image plus nette.

Maintenant que vous vous êtes familiarisé avec votre télescope, vous êtes prêt à commencer à observer le ciel nocturne!

ALIGNER VOTRE ASTRO FI

Pour pleinement profiter de votre informatique Astro Fi 5, vous devez tout d'abord aligner le télescope avec le ciel à l'aide de l'application Celestron SkyPortal. Une fois aligné, votre télescope localisera automatiquement n'importe quel objet céleste que vous sélectionnez sur votre écran! De plus, le télescope suit automatiquement les objets dans le ciel alors que la terre effectue sa rotation. Cette fonction permet de garder les objets centrés dans l'oculaire et de partager facilement vos observations avec la famille et les amis.

1. Installez votre télescope comme vous l'avez fait pendant la journée. Assurez-vous que votre oculaire de 25 mm est installé. Réglez le trépied à une hauteur confortable et mettez-le à niveau. Branchez le bloc-piles au port d'alimentation du télescope.
2. Connectez-vous au réseau Wi-Fi « Celestron-xx ». Lancez l'application SkyPortal et confirmez l'heure et la localisation sur l'écran. Votre appareil doit alors être automatiquement mis à jour, mais si cela n'est pas le cas, alors rendez-vous dans les paramètres d'application et mettez ces informations à jour manuellement. Sélectionnez l'icône de télescope sur l'écran, puis appuyez sur « Connecter et aligner ».

L'application vous guide ensuite dans les étapes nécessaires. Suivez simplement les instructions apparaissant à l'écran.

IL EST TEMPS DE SORTIR VOTRE ASTRO FI!

Maintenant que votre Astro Fi est aligné, l'application SkyPortal vous guidera à travers l'univers avec son planétarium interactif. Tenez votre appareil en direction du ciel, et vous serez facilement en mesure d'identifier les étoiles brillantes, des constellations, des planètes, des objets de l'espace lointain à l'extérieur de notre système solaire. SkyPortal pointera votre télescope vers n'importe lequel de ces objets. Cliquez tout simplement sur l'objet apparaissant à votre écran et sélectionnez « Aller à ». Vous pouvez également sélectionner l'icône de recherche pour saisir un nom d'objet, comme « Nébuleuse d'Orion » [Orion Nebula], « Jupiter » ou « Pléiades » [Pleiades].

PHOTOGRAPHIE AVEC VOTRE SMARTPHONE

Maintenant que vous avez effectué une observation, vous pouvez essayer de prendre des clichés de ce que vous voyez. Votre télescope est équipé d'un adaptateur de smartphone intégré au cache de lentille. Pour utiliser cette fonctionnalité :

1. Retirez le bouchon orange de l'ouverture pour appareil photo du cache. Faites cela en tirant sur l'attache de caoutchouc présente sur l'intérieur du cache. Le bouchon sort aisément de son logement. Vous pouvez ranger le bouchon et l'attache directement sur le cache d'oculaire en pressant l'attache dans le clip présent sur sa face arrière.
2. Faites tourner le cache de manière à ce que la face arrière du cache soit orienté vers le haut. Soulevez les attaches à élastique et glissez votre téléphone entre elles et le cache de lentille de manière à ce que l'objectif de l'appareil photo soit aligné avec l'ouverture. Les attaches sont assez fortes pour tenir votre téléphone contre le cache, et l'anneau de silicone le tiendra en place pour éviter qu'il ne bouge.

ASTUCE : L'emplacement de l'objectif est différent selon les modèles de téléphone. Certains ont la lentille au milieu de ce dernier, d'autres, dans un coin. Vous pouvez donc modifier l'angle des attaches à élastique selon vos besoins. Le cache dispose de huit points d'ancrage pour les attaches sur son pourtour. Réorganisez-les simplement en les ancrant à différents points selon les besoins.

3. Retournez le cache et confirmez que l'objectif de l'appareil photo est centré sur l'ouverture du cache. Un meilleur centrage vous permettra d'obtenir de meilleurs clichés avec le télescope.

4. Desserrez les vis présentes sur le support de l'oculaire, sur la face interne du cache de lentille. Placez la portion noire de l'oculaire dans le support d'oculaire et serrez les vis pour le fixer.

5. Tenez le cache de lentille, avec le téléphone et l'oculaire attachés et insérez le barillet chromé de l'oculaire dans la diagonale situées à l'arrière de l'ensemble de mise au point. Sécurisez l'oculaire en serrant les vis sur la diagonale.

6. Lancez l'appareil photo de votre smartphone et effectuez la mise au point, comme vous le feriez avec l'oculaire, en observant l'image sur l'écran.

NOTE : Assurez-vous que le flash du téléphone est désactivé.

7. Lorsque l'image est nette, effectuez la prise de vue.

Nous vous conseillons de vous entraîner en journée, et lorsque vous avez confirmé que tout fonctionne correctement, vous pouvez essayer de prendre un cliché de la Lune. Lorsque vous êtes confortables avec l'utilisation de l'oculaire de 20 mm, essayez l'adaptateur d'appareil photo avec l'oculaire de 10 mm pour un agrandissement plus puissant.



CONSEILS ET ASTUCES DE PHOTOGRAPHIE

Contrôles de l'appareil photo

L'application d'appareil photo préinstallée sur la majorité des smartphones offre des contrôles très simplifiés et est conçue pour effectuer la mise au point et le réglage d'exposition automatiquement. Cela ne pose pas de problème dans la majorité des cas pour prendre des photos de paysages ou de portraits, mais cela peut être trop limité pour prendre des clichés d'une planète ou de la Lune, qui sont des objets brillants sur un fond très sombre. L'appareil photo du téléphone essaiera donc de compenser en augmentant la luminosité des zones sombres, ce qui a pour effet négatif de surexposer les zones claires et ainsi d'en masquer les détails. Si l'application de votre téléphone ne vous permet pas de régler manuellement le centre de mise au point ou n'offre pas la possibilité de désactiver la mise au point et l'exposition automatique, nous vous recommandons d'en installer une autre. Vous pouvez trouver une grande variété d'applications tierce-partie sur iOS ou Android qui donnent plus de contrôle sur l'appareil photo. Beaucoup d'entre elles sont gratuites.

Vibration

Pour limiter les vibrations induites par la pression sur le déclencheur, nous vous conseillons de définir un délai avant la prise d'image. Certaines applications permettent de définir un délai de 2,5 ou 10 secondes avant la capture. Cela permettra de garantir que la vibration de la pression sur le déclencheur n'interférera pas avec la capture.

Choisir un sujet

Avec cette méthode, vous pouvez prendre des clichés d'objets terrestres de jour, ainsi que des photos astronomiques nocturnes, comme la Lune et autres planètes brillantes (Venus, Mars, Jupiter et Saturne). Malheureusement, les capteurs de photo des smartphones ne sont pas conçus pour fonctionner de manière adéquate en condition de très faible luminosité. Pour cette raison, il se pourrait que vous ne puissiez pas prendre de photos d'objets peu brillants, comme des galaxies ou des nébuleuses.

Agrandissement

Lorsque vous observez la Lune ou d'autres planètes avec un télescope fixe, vous pouvez remarquer que l'objet en question semble se déplacer dans le champ de vision. Cela est dû à la rotation de la Terre. Si vous observiez une planète dans votre oculaire de 20 mm, cette dernière prendrait approximativement 3 minutes pour traverser le champ de vision. Si vous utilisiez un oculaire de 10 mm, alors cet intervalle est réduit à 1,5 minute. Votre smartphone ne tire pas profit du champ de vision en entier, seulement de son centre. Cela rend cet effet d'autant plus visible. Lorsque vous centrez un objet astronomique dans le champ de vision du téléphone, essayez de compenser ce mouvement. Essayez autant que possible de pointer le télescope au-devant du mouvement de la planète, juste en bordure de cette dernière. Cela permettra d'augmenter l'intervalle de déplacement de cette planète, vous donnant ainsi un peu plus de temps pour prendre le cliché avant que vous ne deviez recentrer l'ensemble. Si vous utilisez un oculaire de 10 mm, alors le champ de vision est encore plus étroit, et vous devrez régler l'orientation télescope plus souvent. Nous vous recommandons donc de commencer en utilisant un oculaire de 20 mm. Une fois confortable avec ce type, vous pouvez essayer avec un oculaire de 10 mm.

RESSOURCES SUPPLÉMENTAIRES

Comment contacter Celestron

Pour de l'assistance sur l'utilisation de ce produit, veuillez communiquer avec notre service d'assistance technique au (310) 328-9560, ou vous pouvez contacter le service d'assistance en ligne de Celestron en visitant notre site Internet (www.celestron.com) et en cliquant sur l'onglet « Assistance » en haut de la page. Sur ce site, vous pouvez rechercher à travers une base de données exhaustive contenant des questions fréquemment posées ou soumettre une demande d'assistance.

Le courrier peut-être être envoyé à :

Celestron • 2835 Columbia Street • Torrance, CA 90503

CARACTÉRISTIQUES TECHNIQUES

SKU #	22204	
Conception optique	Schmidt-Cassegrain	
Ouverture	125 mm (4,9 po)	
Distance focale	1250 mm	
Rapport focal	f/10	
Revêtements optiques	StarBright XLT	
Oculaire/Grossissement	Kellner 25 mm(1,25") / 50x; Kellner 10 mm(1,25") / 125x;	
Chercheur	Chercheur à point rouge StarPointer	
Résolution	Rayleigh : 1,11 seconde d'arc / Limite de Dawes : 0,93 seconde d'arc	
Puissance de captage de la lumière	329x l'œil nu	
Grossissement maximum utile	295x	
Grossissement minimal utile	18x	
Magnitude stellaire limite	13	
Trépied	En aluminium et avec hauteur réglable	
Garantie	2 ans	
Longueur du tube optique	33 cm (13")	
Poids total du kit télescope	14,2 livres	



NOTES

GARANTIE LIMITÉE DE 2 ANS DE CELESTRON

A. Celestron garantit que votre monture de télescope sera exempte de tout défaut de matériaux ou de fabrication pour une période de deux (2) ans. Celestron réparera ou remplacera ce produit ou une partie de celui-ci lorsqu'il a été déterminé, lors d'une inspection par Celestron, que le produit est défectueux en raison d'un défaut de matériaux ou de fabrication. Comme condition à l'obligation de Celestron de réparer ou remplacer un tel produit, le produit doit être retourné à Celestron avec la preuve d'achat satisfaisante pour Celestron.

B. Un numéro d'autorisation de retour valide doit être obtenu de Celestron avant le renvoi. Appelez Celestron au (310) 328-9560 pour recevoir le numéro à afficher à l'extérieur de votre colis d'expédition.

Tous les retours doivent être accompagnés d'une déclaration écrite indiquant le nom, l'adresse et le numéro de téléphone de jour du propriétaire, ainsi qu'une brève description des prétendus défauts. Les pièces ou le produit ayant été l'objet d'un remplacement deviendront la propriété de Celestron.

Le client sera responsable de tous les frais de transport et d'assurance, à la fois vers et depuis l'usine de Celestron, et devra payer à l'avance ces coûts.

Celestron fera des efforts raisonnables pour réparer ou remplacer tout télescope couvert par cette garantie dans les trente jours suivant sa réception. Dans le cas où une réparation ou un remplacement nécessitera plus de trente jours, Celestron en avisera le client en conséquence. Celestron se réserve le droit de remplacer tout produit qui a été retiré de sa gamme de produits disponibles avec un nouveau produit ayant une valeur et des fonctions équivalentes.

Cette garantie sera nulle et sans effet dans le cas où la conception ou la fonction d'un produit couvert a été modifiée, ou lorsque le produit a été soumis à un usage abusif, à de mauvaises manipulations ou à une réparation non autorisée. En outre, une défaillance ou une détérioration du produit due à l'usure normale n'est pas couverte par cette garantie.

CELESTRON DÉCLINE TOUTE GARANTIE, EXPRESSE OU IMPLICITE, DE QUALITÉ MARCHANDE OU D'ADAPTATION À UN USAGE PARTICULIER, À MOINS DE DISPOSITIONS EXPRESSES DANS CE DOCUMENT. LA SEULE OBLIGATION DE CELESTRON EN VERTU DE CETTE GARANTIE LIMITÉE SERA DE RÉPARER OU REMPLACER LE PRODUIT COUVERT, EN CONFORMITÉ AVEC LES DISPOSITIONS DE CE DOCUMENT. CELESTRON DÉCLINE TOUTE RESPONSABILITÉ POUR TOUTE PERTE DE PROFITS, TOUT DOMMAGE GÉNÉRAL, PARTICULIER OU INDIRECT POUVANT RÉSULTER DE LA VIOLATION DE TOUTE GARANTIE, OU EN RAISON DE L'UTILISATION DE, OU DE L'INCAPACITÉ À UTILISER, UN PRODUIT CELESTRON. TOUTE GARANTIE IMPLICITE QUI EST ET QUI NE PEUT ÊTRE DÉCLINÉE SERA LIMITÉE À UNE DURÉE DE DEUX ANS À PARTIR DE LA DATE D'ACHAT INITIALE.

Certains états ou certaines provinces ne permettent pas l'exclusion ou la limitation des dommages accessoires ou indirects ou une limitation sur la durée d'une garantie implicite, alors dans ces cas les limitations et exclusions susmentionnées pourraient ne pas s'appliquer à vous.

Cette garantie vous donne des droits légaux spécifiques, et vous pouvez également avoir d'autres droits qui varient d'un état ou d'une province à l'autre.

Celestron se réserve le droit de modifier ou de cesser la production de tout modèle ou style de télescope, et cela sans préavis.

Si vous rencontrez des problèmes liés à la garantie, ou si vous avez besoin d'assistance pour utiliser votre télescope, contactez :

Celestron

Service à la clientèle

2835 Columbia Street

Torrance, CA 90503

Tel. (310) 328-9560

Fax. (310) 212-5835

Du lundi au vendredi, de 8 h à 16 h HNP

NOTE : Cette garantie est valable pour les clients américains et canadiens qui ont acheté ce produit auprès d'un revendeur autorisé Celestron aux États-Unis ou au Canada. La garantie en dehors des É.-U. et du Canada n'est valable que pour les clients ayant acheté le produit d'un distributeur international de Celestron ou d'un distributeur agréé dans le pays en question. Veuillez communiquer avec eux pour toute réparation sous garantie.



Remarque relative à la FCC : Cet équipement a été testé et jugé conforme aux limites établies pour un dispositif numérique de classe B, conformément à la partie 15 de la réglementation de la FCC. Ces limites ont été mises en place pour offrir une protection raisonnable contre les interférences dans un complexe résidentiel. Cet équipement génère, utilise et peut diffuser des ondes radio. S'il n'est pas installé et utilisé convenablement pourrait créer des interférences sur les communications radio. Il n'existe cependant aucune garantie que des interférences ne seront pas produites dans le cadre d'une installation particulière. Si cet équipement crée des interférences à la réception radio ou télévisée, ce qui peut être confirmé en éteignant puis en rallumant l'équipement en question, nous recommandons à l'utilisateur d'appliquer une ou plusieurs des solutions suivantes pour corriger les problèmes d'interférences :

- Réorientez ou déplacez l'antenne de réception.
- Augmentez la distance séparant l'équipement et le récepteur.
- Connectez l'équipement à une prise ou à un circuit différent de celui du récepteur.
- Contactez le revendeur ou un technicien radio ou TV d'expérience pour obtenir de l'assistance.

L'apparence et les caractéristiques du produit peuvent être modifiées sans préavis.

Ce produit est conçu et destiné pour les personnes de 14 ans et plus.



© 2018 Celestron • Tous droits réservés.

www.celestron.com

2835 Columbia Street • Torrance, CA 90503 É.-U.

Téléphone : 800.421.9649

22204

01-18

Imprimé en Chine



ASTRO FI™

BEDIENUNGSANLEITUNG

MODELL-NR. 22204



5-Zoll Schmidt-Cassegrain



Astro Fi TELESKOP

LIEFERUMFANG

Wir empfehlen Ihnen, die Verpackung Ihres Teleskops aufzubewahren, um das Teleskop bei Nichtverwendung darin zu verstauen. Gehen Sie beim Auspacken vorsichtig vor, da Kleinteile enthalten sind. Überprüfen Sie anhand der untenstehenden Teileliste die Vollständigkeit aller Teile und Zubehörteile.

TEILELISTE



Abb. 1

⚠ SONNENSTRAHLEN-WARNHINWEIS

Schauen Sie weder mit bloßem Auge noch durch ein Teleskop direkt in die Sonne (es sei denn, Sie verfügen über einen geeigneten Sonnenfilter). Sie könnten permanente und irreversible Augenschäden davontragen.

Das Teleskop keinesfalls zur Projektion eines Bildes der Sonne auf eine Oberfläche verwenden. Durch die interne Wärmeakkumulation können das Teleskop und etwaiges daran angeschlossenes Zubehör beschädigt werden.

Niemals einen Okularsonnenfilter oder einen Herschelkeil verwenden. Die interne Wärmeakkumulation im Teleskop kann zu Rissen oder Brüchen dieser Instrumente führen. Dadurch könnte ungefiltertes Sonnenlicht ins Auge gelangen.

Das Teleskop niemals unbeaufsichtigt lassen, wenn Kinder oder Erwachsene zugegen sind, die möglicherweise nicht mit den richtigen Betriebsverfahren Ihres Teleskops vertraut sind.

VORAUSSETZUNGEN

Ihr Astro Fi-Teleskop benötigt eine der folgenden Energiequellen:

- 8 x AA-Batterien
- 12 Volt Gleichstromquelle mit mindestens 1 Ampere Stromstärke
- Celestron PowerTank (Separat erhältlich)

Zum Bedienen des Teleskops benötigen Sie auch ein Smartphone oder Tablet. Unter den kompatiblen Geräten befinden sich Apple iPhone oder iPad mit iOS 6 oder höher sowie Smartphones bzw. Tablets von Samsung mit Android 4.0. Eine vollständige Kompatibilitätsliste finden Sie auf www.celestron.com.

Zuerst muss die kostenlose Celestron SkyPortal-App auf Ihrem Gerät installiert werden. Laden Sie die App vom App Store oder über Google Play herunter.

DAS TELESKOP AUFBAUEN

Für den Aufbau des Astro Fi-Teleskops benötigen Sie kein Werkzeug. Nehmen Sie alle Teile aus der Packung und:

1. Öffnen Sie das Stativ, bis die Mittelstütze voll ausgezogen ist (Abbildung 2).
2. Drehen Sie den unverlierbaren Mittelbolzen in die Zubehörablage (Abbildung 3).
3. Platzieren Sie die Gabelarm-Baugruppe auf dem Stativ und fixieren Sie sie mithilfe des unverlierbaren silbernen Knopfs unterhalb des Stativoberteils (Abbildung 4).
4. Bringen Sie den optischen Teleskop-Tubus an, indem Sie den Schwalbenschwanz in die Schwalbenschwanz-Halterung am Gabelarm einlegen. Stellen Sie sicher, dass der Schwalbenschwanz flach an der Schwalbenschwanz-Halterung anliegt. Ziehen Sie die Flügelschraube fest an. (Abbildung 5).
5. Stellen Sie das Stativ auf eine bequeme Höhe ein und nivellieren Sie es mithilfe der Feststellknöpfe zum Fixieren jedes Stativbeins.
6. Legen Sie acht AA-Batterien (nicht enthalten) in das Batteriefach ein und achten Sie auf die korrekte Position von + und -. Legen Sie das Batteriefach in die Zubehörablage.

HINWEIS: Die Zubehörablage verfügt über eine spezielle Halterung für Ihr Smartphone oder Tablet.



DAS OKULAR UND DER ZENITSPIEGEL

Die Astro Fi 5 kommt mit zwei Okularen ausgestattet, eines weist eine niedrige Vergrößerung (25-mm-Okular), das andere eine hohe Vergrößerung (10-mm-Okular) auf. Das jeweils ausgewählte Okular bestimmt Ihre Vergrößerung sowie das Sichtfeld. Wählen Sie nach jedem Aufbau Ihres Teleskops immer zuerst das 25-mm-Okular. Nach dem Anvisieren Ihres Zielobjekts können Sie zum höher vergrößernden 10-mm-Okular wechseln, um ein detailreicheres Bild zu erhalten. Ihr Teleskop kommt auch mit einem Zenitspiegel. Mithilfe des Zenitspiegels lässt sich das Okular für ein aufrecht stehendes, jedoch von links nach rechts seitenverkehrt Bild in einem bequemen Winkel von 90° am Teleskop anbringen.



Abb. 6

Nehmen Sie alle Staubschutzkappen ab, bringen Sie den Zenitspiegel am Okularansatz an und ziehen Sie die 2 silbernen Flügelschrauben fest. Führen Sie das 25-mm-Okular ein und sichern Sie es durch Festziehen der 2 Flügelschrauben am Zenitspiegel.

STARPOINTER-SUCHERFERNROHR

Ihr Teleskop ist mit einem StarPointer-Sucherfernrohr mit rotem Punkt ausgestattet, mit dessen Hilfe Sie ein fernes Zielobjekt im Teleskop anvisieren können.

Ihr StarPointer-Sucherfernrohr installieren:

1. Suchen sie die schwalbenschwanzhalterung der oberseite des teleskoprohr.
2. Schieben sie den boden des Star Pointer über die schwalbenschwanz halterung am teleskop. Befestigen Sie sie durch Festziehen der silbernen Flügelschraube.



Abb. 7

AUSRICHTEN DES STARPOINTER-SUCHERFERNROHRS

Nach dem ersten Aufbau Ihres Teleskops müssen Sie den StarPointer an der Hauptoptik Ihres Teleskops ausrichten. Dazu muss das Teleskop nicht eingeschaltet werden. Obwohl dieser Schritt auch nachts im Freien durchgeführt werden kann, ist es bedeutend einfacher, dies bei Tageslicht im Freien vorzunehmen. Einmal ausgerichtet, muss Ihr Sucherfernrohr nicht erneut ausgerichtet werden, es sei denn, es wird einem Stoß ausgesetzt oder fällt um.

1. Nehmen Sie Ihr Teleskop während des Tages nach draußen und suchen Sie mit dem bloßen Auge ein leicht erkennbares Objekt, wie eine Straßenlaterne, ein Autokennzeichen oder einen hohen Baum. Das Objekt sollte vorzugsweise 400 Meter oder weiter entfernt sein.
2. Ziehen Sie die große Staubschutzhaube gerade von der Teleskop-Vorderseite ab. Vergewissern Sie sich, dass das 25-mm-Okular am Fokussierer angebracht ist.
3. Ein ausgeschaltetes Teleskop darf nicht nach links und rechts geschwenkt werden. Richten Sie Ihr montiertes Stativ sowie das Teleskop so aus, dass das Teleskop auf das in Schritt 1 ausgewählte Ziel zeigt.
4. Schauen Sie durch das Teleskop und schwenken Sie es auf und ab, bis das ausgewählte Objekt im Zentrum des Sichtfelds liegt. Ist das Bild unscharf, drehen Sie langsam an den Fokussierknöpfen zu beiden Seiten des Teleskops, bis das Bild scharf gestellt ist.
5. Nachdem das Objekt im 25-mm-Okular zentriert ist, können Sie den Sucher mit rotem Punkt einschalten, indem

HINWEIS: Das Bild im Okular erscheint seitenverkehrt. Das ist für ein Astronomie-Teleskop völlig normal.

Sie den Netzschalter-Knopf auf der rechten Seite des Suchers im Uhrzeigersinn drehen. Sie hören ein Klicken als Bestätigung, dass der Sucher eingeschaltet wurde. Über diesen Knopf lässt sich auch die Helligkeit des roten Punkts regeln. Die maximale Helligkeit wird erreicht, wenn der Knopf bis zum Anschlag gedreht wird.

6. Bringen Sie Ihren Kopf etwa 30 cm hinter den Sucher, schauen Sie durch das runde Fenster und suchen Sie den roten Punkt. Dieser befindet sich höchstwahrscheinlich nahe, jedoch nicht direkt auf dem Objekt, das Sie durch das 25-mm-Okular betrachten.
7. Drehen Sie nun, ohne das Teleskop zu bewegen, an den beiden Einstellknöpfen seitlich und unterhalb des StarPointer-Sucherfernrohrs (Abbildung 8). Der eine ermöglicht die Links-rechts-Bewegung des Punktes. Der andere die Auf- und Abbewegung des Punktes. Stellen Sie beide so ein, dass der rote Punkt direkt über dem Objekt erscheint, das Sie im 25-mm-Okular betrachten.

Jetzt ist Ihr StarPointer-Sucher mit rotem Punkt justiert!

HINWEIS: Achten Sie darauf, das StarPointer-Sucherfernrohr bei Nichtverwendung auszuschalten, um die Batterie zu schonen.



Abb. 8

EINE BEOBACHTUNG VORBEREITEN

Nachdem Ihr Teleskop nun montiert und der StarPointer justiert ist, können Sie Ihr Smartphone oder Tablet anschließen. Wir empfehlen, sich mit dem Teleskop und der App bei Tag vertraut zu machen, bevor diese bei Nacht zum Einsatz kommen sollen.

VORSICHT: Beachten Sie, dass das Teleskop bei Tag ohne geeigneten Sonnenfilter vor dem gesamten Reflektor nicht direkt auf die Sonne gerichtet werden darf!

1. Schließen Sie das Batteriefach an den Netzanschluss am Teleskopsockel an (Abbildung 9). Die roten LEDs leuchten auf und bestätigen, dass das Instrument stromversorgt wird und Wi-Fi verfügbar ist. Stellen Sie sicher, dass sich der kleine Schalter nahe des Netzanschlusses in der RECHTS-Position befindet, wie in der Abbildung dargestellt.
2. Gehen Sie zu den WiFi-Einstellungen Ihres Geräts und stellen Sie die Verbindung zum "Celestron-xx"-Netzwerk her. Warten Sie, bis Ihr Gerät die erfolgreiche Verbindungsherstellung bestätigt.

Astro Fi TELESKOP

3. Öffnen Sie das Celestron Sky Portal und wählen Sie "Teleskop verbinden" aus. Pfeile für die AUF/AB- sowie die LINKS/RECHTS-Navigation erscheinen auf Ihrem Bildschirm. Diese Bewegungsrichtungen werden Höhe bzw. Azimut genannt.
4. Schwenken Sie Ihr Teleskop mithilfe dieser Pfeile. Über einen Schieber kann die Motordrehzahl eingestellt werden.



WiFi-Schalter auf rechts position

Beginnen Sie mit dem Anvisieren eines fernen terrestrischen Objekts. Visieren Sie das Objekt zuerst mit Ihrem StarPointer an und schauen Sie anschließend durch Ihr 25-mm-Okular. Wenn Sie nun zum 10-mm-Okular wechseln, werden Sie eine höhere Vergrößerung und ein kleines Sichtfeld realisieren. Beim Wechseln von Okularen muss nachfokussiert werden, um ein scharfes Bild zu erhalten.

Da Sie sich nun mit Ihrem Teleskop vertraut gemacht haben, können Sie sich nun den Beobachtungen des Nachthimmels widmen!

IHR ASTRO FI AUSRICHTEN

Damit Ihr computerisierte Astro Fi 5 alle seine Vorteile ausspielen kann, muss das Teleskop mithilfe der Celestron SkyPortal-App zuerst am Nachthimmel ausgerichtet werden. Nach der Justierung richtet sich Ihr Teleskop automatisch auf jedes Objekt, das Sie auf dem Bildschirm auswählen! Das Teleskop führt auch automatisch Objekte am Himmel nach und gleicht damit die Erdrotation aus. Dadurch bleiben Objekte im Okular zentriert, was das Teilen mit Familie und Freunden erleichtert.

1. Stellen Sie Ihr Teleskop genauso auf, wie Sie dies am Tag getan haben. Vergewissern Sie sich, dass das 25-mm-Okular angebracht ist. Wählen Sie für das Stativ eine bequeme Höhe und nivellieren Sie es. Schließen Sie das Batteriefach und den Netzanschluss des Teleskops an.
2. Stellen Sie die Verbindung zum "Celestron-xx"-Netzwerk her. Öffnen Sie die SkyPortal-App und bestätigen Sie auf dem Bildschirm Uhrzeit und Standort. Ihr Gerät sollte diese Daten selbstständig aktualisieren können. Wenn dies nicht der Fall ist, können Sie Einträge in der App unter Einstellungen manuell aktualisieren. Wählen Sie auf Ihrem Bildschirm das Teleskop-Symbol und drücken Sie auf "Verbinden und ausrichten".

Die App führt Sie nun durch jeden Schritt. Folgen Sie einfach den Anweisungen auf dem Bildschirm.

MIT IHREM ASTRO FI AUF SPRITZTOUR GEHEN!

Nach dem Ausrichten Ihres Astro Fi macht die SkyPortal-App dank des interaktiven Planetariums mit Ihnen eine Tour durchs Universum. Richten Sie Ihr Mobilgerät in den Himmel und Sie können ganz einfach helle Sterne, Konstellationen, Planeten sowie Weltraumobjekte außerhalb unseres Sonnensystems identifizieren. Das SkyPortal richtet Ihr Teleskop auf jedes beliebige dieser Objekte aus. Tippen Sie einfach auf Ihrem Bildschirm auf das Objekt und wählen Sie "Gehe zu" aus. Sie können auch das Suchsymbol auswählen und einen Objektname, wie beispielsweise "Orionnebel", "Jupiter" oder "Plejaden" eingeben.

BILDER MIT IHREM SMARTPHONE AUFNEHMEN

Nachdem Sie nun mit Ihrem Teleskop einige Beobachtungen vorgenommen haben, können Sie Fotos von Ihren Objekten machen. Das Teleskop hat einen Smartphone-Adapter, der sich direkt in der Objektivkappe befindet. Diesen Adapter nutzen:

1. Ziehen Sie den orangefarbenen Stecker aus der Kameraöffnung in der Objektivkappe. Ziehen Sie dazu am orangefarbenen Gummiband auf der Innenseite der Objektivkappe. Der Stecker sollte direkt herauspringen. Stecker und Band können auf der Rückseite der Objektivkappe neben der Okularhalterung in der Halteklammer verstaut werden.



2. Drehen Sie den Deckel, so dass die Außenseite der Kappe nach oben zeigt. Heben Sie die flexiblen Riemen an und schieben Sie Ihr Smartphone zwischen die Riemen und die Objektivkappe, so dass die Kamera durch die Kameraöffnung "blickt". Die Riemen sollten so viel Spannung aufweisen, dass das Instrument an der Kappe gehalten wird. Der schwarze Silikonring muss so viel Reibung erzeugen, dass das Smartphone nicht verrutschen kann.



HINWEIS: Je nach Gestaltung des Smartphones kann die Kamera mittig oder seitlich liegen. Sie können den Winkel der flexiblen Riemen so abändern, dass das Telefon sicher sitzt. Es gibt acht verschiedene Ankerpunkte für den Rand der Objektivkappe. Einfach an anderen Ankerpunkten befestigen, um einen optimalen Sitz zu gewährleisten.

3. Drehen Sie die Kappe um, stellen Sie sicher, dass Ihre Kameralinse in der Öffnung in der Objektivkappe zentriert ist. Je besser Sie diese Zentrierung vornehmen, desto leichter lassen sich die Bilder durch das Teleskop aufnehmen.



4. Lösen Sie die Feststellschrauben der Okularhalterung im Inneren der Objektivkappe. Platzieren Sie den schwarzen Teil des Okulars in der Okularhalterung und ziehen Sie die Schrauben zum Feststellen des Okulars an.



5. Nehmen Sie die Objektivkappe mit dem angebrachten Telefon und Okular und setzen Sie den Chromlauf des Okulars in den Diagonalspiegel auf der Rückseite des Fokussierers ein. Ziehen Sie die Feststellschrauben des Diagonalspiegels an.

6. Aktivieren Sie Ihre Kamera-App auf Ihrem Smartphone und stellen Sie den Fokus ein, wie Sie auch das Okular einstellen würden, doch verwenden Sie dieses Mal das Bild auf dem Bildschirm.

ANMERKUNG: Vergewissern Sie sich, dass der Blitz am Telefon ausgeschaltet ist.

7. Wenn das Bild scharf erscheint, können Sie Ihr Foto machen.



Am besten starten Sie Ihren ersten Versuch bei Tageslicht. Sobald alle Einstellungen korrekt vorgenommen wurden, können Sie Ihre Instrumente nach draußen bringen und den Mond aufnehmen. Wenn Sie mit dem 20-mm-Okular geübt und vertraut sind, können Sie den Kamera-Adapter zusammen mit dem 10-mm-Okular für eine höhere Vergrößerungsleistung verwenden.

HINWEISE UND TRICKS ZUM AUFNEHMEN VON BILDERN

Kamerasteuerung

Die Standard-Kamera-Apps, die auf Ihrem Smartphone vorinstalliert sind, bieten recht eingeschränkte Steuerungen und stellen den Fokus und die Belichtung automatisch ein. Für die alltägliche Fotografie wie Landschaften oder Porträts stellt das kein Problem dar. Doch bei Aufnahmen eines Planeten oder des Mondes ist es problematisch, da ein sehr helles Objekt vor einem sehr schwarzen Himmel steht. Die Kamera des Telefons versucht, das Ungleichgewicht der Lichtverhältnisse durch Aufhellung der dunklen Bereiche auszubalancieren, wodurch überbelichtet wird und die Details verschwimmen. Wenn Sie unter den Einstellungen Ihrer Kamera-App den Fokuspunkt nicht manuell einstellen oder den Autofokus oder die automatische Belichtung nicht deaktivieren können, sollten Sie eine andere App auswählen. Es stehen etliche Apps für iOS und Android zur Verfügung, die eine umfangreiche Kamera-Steuerung ermöglichen. Viele davon sind kostenlos.

Vibration

Damit die Kamera in keiner Weise bewegt wird, wenn Sie den Auslöser betätigen, können Sie eine Auslöserverzögerung nutzen. Einige Apps bieten eine Verzögerung von 2, 5 oder 10 Sekunden, bevor das Bild aufgenommen wird. Dadurch können jegliche Vibrationen verebben, bevor das eigentliche Bild aufgenommen wird.

Motive

Mit dieser Methode können Sie bei Tag Bilder von terrestrischen Objekten sowie nächtlichen astronomischen Objekten, wie dem Mond und hellen Planeten (Venus, Mars, Jupiter und Saturn) machen. Da die Kamerasensoren eines Smartphones bei sehr geringen Helligkeiten an Ihre Grenzen stoßen, sind Aufnahmen lichtschwacher astronomischer Objekte, wie Galaxien und Nebel, auf diese Weise leider kaum möglich.

Vergrößerung

Wenn Sie durch ein stationäres Teleskop den Mond oder einen Planeten beobachten, werden Sie feststellen, dass das Objekt durch das Sichtfeld wandert. Verantwortlich dafür ist die Erddrehung. Wenn Sie durch Ihr 20-mm-Okular blicken, benötigt ein Planet etwa 3 Minuten, bis er durch das gesamte Gesichtsfeld des Okulars gewandert ist. Verwenden Sie das 10-mm-Okular, dauert dies lediglich 1,5 Minuten. Das Smartphone nutzt jedoch nicht das gesamte Sichtfeld des Okulars, sondern nur dessen Mitte, wodurch die Bewegung noch viel schneller erscheint. Wenn ein astronomisches Objekt im Sichtfeld des Telefons zentriert wird, sollten Sie versuchen, einen Punkt anzuvisieren, den das Ziel demnächst passieren wird. Richten Sie das Teleskop so aus, dass es dem Planeten voraus ist und dieser gerade in das Sichtfeld eintritt. Dadurch wird die Zeit, die das Wandern durch das gesamte Sichtfeld, in Anspruch nimmt, maximiert, wodurch Sie mehr Zeit zum Aufnehmen der Bilder zur Verfügung haben, bevor ein erneutes Anvisieren des Teleskops nötig wird. Das 10-mm-Okular hat ein engeres Sichtfeld, wodurch Sie häufiger nachstellen müssen. Zu Anfang ist das 20-mm-Okular daher einfacher zu handhaben. Sobald Sie damit geübt sind, können Sie zum 10-mm-Okular übergehen.

WEITERE INFORMATIONSQUELLEN

Celestron-Kontakt

Rufen Sie für Hilfestellung bezüglich dieses Produkts bitte unseren Technischen Support unter (310) 328-9560 an oder wenden Sie sich online auf der Website () an unseren Celestron Support und klicken Sie dazu oben auf der Seite auf den Reiter "Support". Hier können Sie eine umfassende Datenbank mit häufig gestellten Fragen einsehen oder eine Anfrage um Hilfestellung senden.

Schriftverkehr bitte an folgende Adresse:

Celestron • 2835 Columbia Street • Torrance, CA 90503

TECHNISCHE DATEN

SKU #	22204	
Optisches Design	Schmidt-Cassegrain	
Blendenöffnung	125 mm (4,9 Zoll)	
Brennweite	1250 mm	
Fokalverhältnis	f/10	
Optische Beschichtungen	StarBright XLT	
Okular/Vergrößerung	25 mm Kellner (1,25 Zoll) / 50x; 10 mm Kellner (1,25 Zoll) / 125x;	
Suchfernrohr	StarPointer-Sucherfernrohr mit rotem Punkt	
Auflösung	Rayleigh: 1,11 Bogensekunden / Dawes-Begrenzung: 0,93 Bodensekunden	
Lichtsammelleistung	329-fach bei bloßem Auge	
Höchste sinnvolle Vergrößerung	295-fach	
Niedrigste sinnvolle Vergrößerung	18-fach	
Stellare Grenzgrößen	13	
Stativ	Höhenverstellbares Aluminium	
Garantie	2 Jahre	
Okularrohrlänge	13 Zoll (33 cm)	
Gesamtgewicht des Teleskopsets	14,2 pfund	

HINWEISE

ZWEIJÄHRIGE EINGESCHRÄNKTE GARANTIE VON CELESTRON

A. Celestron garantiert, dass Ihr Teleskop für zwei Jahre frei von Material- und Verarbeitungsfehlern ist. Celestron wird ein solches Produkt oder Teile davon, wenn nach Inspektion durch Celestron ein Defekt an Material oder Verarbeitung gefunden wurde, reparieren oder austauschen. Die Verpflichtung von Celestron, ein solches Produkt zu reparieren oder auszutauschen, unterliegt der Bedingungen, dass das Produkt zusammen mit einem für Celestron zufriedenstellenden Kaufbeleg an Celestron zurückgesendet wird.

B. Die korrekte Rücksende-Autorisationsnummer muss zuvor von Celestron angefordert werden. Rufen Sie Celestron unter (310) 328-9560 an, um die Nummer, die auf der Außenseite Ihres Versandcontainers aufgebracht ist, zu erhalten.

Alle Rücksendungen müssen eine schriftliche Erklärung enthalten, aus der der Name, die Adresse und die Telefonnummer des Eigentümers, zu der er tagsüber erreichbar ist, zusammen mit einer kurzen Beschreibung aller beanstandeten Defekte, hervorgeht. Ausgetauschte Teile oder Produkte werden Eigentum von Celestron.

Der Kunde ist für alle Kosten für Versand und Versicherung zu und vom Celestron-Werk verantwortlich und muss diese Kosten im Voraus begleichen.

Celestron muss vernünftige Maßnahmen ergreifen, um jedes Teleskop unter dieser Garantie innerhalb von 30 Tagen nach Erhalt zu reparieren oder auszutauschen. Für den Fall, dass Reparatur oder Austausch mehr als dreißig Tage in Anspruch nimmt, muss Celestron den Kunden entsprechen in Kenntnis setzen. Celestron behält sich das Recht vor, ein Produkt, das aus der Produktlinie ausgeschieden ist, durch ein neues oder in Wert und Funktion vergleichbares Produkt zu ersetzen.

Diese Garantie erlischt und wird außer Kraft gesetzt, für den Fall, dass ein Produkt unter der Garantie in Design oder Funktion modifiziert wurde oder Missbrauch, unsachgemäße Handhabung oder unautorisierter Reparatur unterzogen wurde. Des Weiteren sind Produktfehlfunktionen oder Wertminderung aufgrund von normalem Verschleiß von dieser Garantie nicht abgedeckt.

CELESTRON LEHNT JEDLICHE GEWÄHRLEISTUNG, OB AUSDRÜCKLICH ODER STILLSCHWEIGEND, OB DER MARKTGÄNGIGKEIT ODER DER EIGNUNG FÜR EINEN BESTIMMTEN ZWECK, AUSSER DEM HIERIN GENANNTEN, AB. DIE ALLEINIGE VERPFLICHTUNG VON CELESTRON UNTER DIESER EINGESCHRÄNKTEN GARANTIE BESTEHT DARIN, DAS DURCH DIE GARANTIE ABGEDECKTE PRODUKT IN ÜBEREINSTIMMUNG MIT DEN HIERIN FESTGEHALTENEN BEDINGUNGEN ZU REPARIEREN ODER AUSZUTAUSSCHEN. CELESTRON LEHNT AUSDRÜCKLICH JEDLICHE HAFTUNG FÜR ENTGANGENE PROFITE, ALLGEMEINE, SPEZIELLE, INDIREKTE ODER FOLGESCHÄDEN AB, DIE SICH AUS EINER GARANTIEVERLETZUNG ERGEBEN KÖNNTEN ODER DIE DURCH NUTZUNG BZW. UNFÄHIGKEIT ZUR NUTZUNG JEDLICHEN CELESTRON-PRODUKTS ERGEBEN. JEDLICHE STILLSCHWEIGENDE ODER NICHT BEANSPRUCHBARE GEWÄHRLEISTUNGEN IST ZEITLICH AUF ZWEI JAHRE AB DATUM DES URSPRÜNGLICHEN KAUFES BESCHRÄNKT.

Einige Staaten erlauben keinen Ausschluss oder keine Beschränkung von zufälligen oder Folgeschäden sowie keine zeitliche Begrenzung einer stillschweigenden Garantie; daher könnten die oben genannten Beschränkungen und Ausschlüsse auf Sie nicht zutreffen.

Diese Garantie gibt Ihnen bestimmte Rechte und darüber hinaus könnten Sie auch weitere Rechte haben, die von Land zu Land variieren.

Celestron behält sich das Recht vor, jegliches Modell und jeglichen Teleskoptyp zu modifizieren oder aus der Produktlinie auszuschließen, ohne Ihnen dies vorher anzukündigen.

Wenn ein Garantiefall eintritt oder wenn Sie Hilfestellung bei der Verwendung Ihres Teleskops benötigen, wenden Sie sich bitte an:

Celestron	Tel. (310) 328-9560
Kundendienstabteilung	Fax: (310) 212-5835
2835 Columbia Street	Montag - Freitag 8.00 bis 16.00 Uhr PST
Torrance, CA 90503	

HINWEIS: Diese Garantie ist für Kunden in den USA und Kanada gültig, die dieses Produkt von einem autorisierten Celestron-Händler in den USA oder Kanada gekauft haben. Eine Garantie außerhalb der USA und Kanada gilt nur für Kunden, die bei einem internationalen Celestron-Vertrieb oder einem autorisierten Celestron-Händler im jeweiligen Land eingekauft haben. Bitte wenden Sie sich für jeden Garantieservice an diese Ansprechpartner.



FCC-Erklärung: Dieses Gerät wurde getestet und entspricht den Grenzwerten für digitale Geräte der Klasse B in Übereinstimmung mit Artikel 15 der FCC-Bestimmungen. Diese Grenzwerte sollen einen angemessenen Schutz vor Störungen in Wohngebieten bieten. Dieses Gerät erzeugt, verwendet Hochfrequenzenergie und kann diese ausstrahlen und kann, wenn es nicht in Übereinstimmung mit den Anweisungen installiert und verwendet wird, Störungen im Funkverkehr verursachen. Es kann jedoch nicht garantiert werden, dass in einer bestimmten Einrichtung keine Störungen auftreten. Falls dieses Gerät Störungen des Radio- oder Fernsehempfangs verursacht, was durch ein vorübergehendes des Geräts festgestellt werden kann, wird der Benutzer dazu angehalten, die Störung durch eine oder mehrere der nachstehenden Maßnahmen zu beheben:

- Neuaustrichtung oder Positionsveränderung der Empfangsantenne.
- Vergrößerung des Abstands zwischen dem Gerät und dem Empfänger.
- Anschluss des Geräts an eine Steckdose, die nicht am selben Stromkreis angeschlossen ist, wie die des Empfängers.
- DEN HÄNDLER ODER EINEN ERFAHRENEN RADIO- UND FERNSEHTECHNIKER UM HILFE ERSUCHEN.

Produktdesign und technische Daten können ohne vorherige Ankündigung geändert werden. Dieses Instrument wurde für Personen ab 14 Jahren konzipiert und vorgesehen.



© 2018 Celestron • Alle Rechte vorbehalten
 www.celestron.com
 2835 Columbia Street • Torrance, CA 90503 U.S.A.
 Telefon: 800.421.9649

22204

01-18

In China gedruckt



ASTRO FI™

MANUAL DE INSTRUCCIONES

MODELO # 22204



Schmidt-Cassegrain 5 Pulgadas



Astro Fi TELESCOPIO

CONTENIDO DE LA CAJA

Recomendamos guardar la caja de su telescopio para poder usarla para guardarlo cuando no lo use. Desembale cuidadosamente la caja, algunas piezas son pequeñas. Use la lista de piezas siguiente para comprobar que dispone de todas las piezas y accesorios.

LISTA DE PIEZAS



Fig. 1

⚠ AVISO SOLAR

Nunca mire directamente al Sol con los ojos descubiertos o un telescopio (a menos que tenga un filtro solar adecuado). Puede producir daños oculares permanentes e irreversibles.

Nunca use su telescopio para proyectar una imagen del Sol sobre ninguna superficie. La acumulación interna de calor puede dañar el telescopio y cualquier accesorio que tenga instalado.

No use nunca un filtro solar de ocular ni una cuña Herschel. La acumulación interna de calor en el telescopio puede hacer que los dispositivos se agrieten o rompan, permitiendo pasar la luz solar sin filtrar hasta el ojo.

No deje el telescopio sin supervisión si hay niños presentes o adultos que no estén familiarizados con los procedimientos operativos correctos de su telescopio.

REQUISITOS PREVIOS

Su telescopio Astro Fi precisa de una de las siguientes fuentes de alimentación:

- 8 baterías AA
- Fuente CC de 12 voltios con como mínimo 1 amperio de corriente
- Celestron PowerTank (comercializado por separado)

También necesitará un teléfono o tableta para usar el telescopio. Los dispositivos compatibles incluyen iPhone o iPad de Apple con iOS 6 o posterior, y teléfonos o tabletas Samsung con Android 4.0. Visite celestron.com para ver una lista completa de compatibilidad.

Antes de comenzar deberá instalar la app gratuita Celestron SkyPortal en su dispositivo. Descargue la app desde App Store o Google Play.

MONTAJE DEL TELESCOPIO

No necesitará herramientas para montar el telescopio Astro Fi. Retire todos los elementos del embalaje y a continuación:

1. Abra el trípode hasta que el soporte central quede totalmente extendido (Figura 2).
2. Pase el perno central por la bandeja de accesorios (Figura 3).
3. Ponga la estructura del brazo en horquilla sobre el trípode y asegúrela con el mando bajo la parte superior del trípode (Figura 4).
4. Fije el tubo óptico del telescopio colocando la fijación en el soporte de fijación del brazo de horquilla. Asegúrese de que la parte inferior de la fijación quede a nivel con el soporte. Apriete con firmeza el perno manual. (Figura 5).
5. Ajuste el trípode a una altura cómoda y nivélelo, usando los mandos de bloqueo para asegurar cada una de las patas del trípode.
6. Instale ocho baterías AA (no incluidas) en el paquete de baterías, teniendo en cuenta la correcta posición de + y -. Deje el paquete de baterías en la bandeja de accesorios.

NOTA: La bandeja de accesorios tiene un soporte especial adecuado para el teléfono o una tableta pequeña.



OCULARES Y DIAGONAL ESTELAR

El Astro Fi 5 incluye dos oculares, uno de baja potencia de 25 mm y uno de alta potencia de 10 mm. El ocular que seleccione determinará el aumento y campo de visión. Siempre que instale el telescopio, comience por el ocular de 25 mm. Cuando localice el objetivo puede cambiar al ocular de mayor potencia de 10 mm para obtener una vista más detallada. Su telescopio incluye una diagonal estelar. La diagonal estelar posiciona el ocular en un ángulo más cómodo, de 90 grados respecto al telescopio, y ofrece una imagen orientada correctamente en vertical, aunque esté invertida en espejo de izquierda a derecha.



Fig. 6

Retire todas las tapas para el polvo e introduzca la diagonal estelar en el adaptador visual, y apriete los 2 tornillos manuales plateados. Introduzca el ocular de 25 mm y fíjelo apretando los 2 tornillos manuales de la diagonal estelar.

LOCALIZADOR STARPOINTER

Su telescopio incluye un localizador de punto rojo StarPointer que se utiliza como herramienta de mira al apuntar el telescopio a un objetivo lejano.

Para instalar su localizador StarPointer:

1. Localice la fijación de montura ubicada en la parte superior del tubo del telescopio.
2. Deslice la base del StarPointer sobre la fijación del telescopio. Bloquéelo en posición apretando el tornillo manual plateado.



Fig. 7

ALINEAR EL LOCALIZADOR STARPOINTER

La primera vez que monte el telescopio, deberá alinear el localizador con la óptica principal del telescopio. Este paso puede realizarse sin encender el telescopio. Aunque este paso se puede realizar de noche en el campo, es mucho más sencillo en exteriores a la luz del día. Cuando haya finalizado la alineación del localizador, no deberá repetir este paso a menos que se golpee o caiga el localizador.

1. Saque el telescopio de día y localice con la vista desnuda un objeto fácilmente reconocible, como una farola, una matrícula de coche, o un árbol alto. El objeto debe estar lo más lejos posible, al menos a 400 m.
2. Retire la cubierta para polvo principal de la parte anterior del telescopio tirando de ella. Asegúrese de tener el ocular de 25 mm instalado en el enfoque.
3. No intente mover el telescopio a izquierda y derecha cuando esté apagado. Mueva el trípode montado de forma que el telescopio apunte en la dirección del objeto elegido en el paso 1.
4. Mire por el telescopio y muévalo hacia arriba y abajo hasta que el objeto elegido quede en el centro del campo de visión. Si la imagen se ve borrosa, gire suavemente los mandos de enfoque a cada lado del telescopio hasta que quede definida.

NOTA: La imagen que verá en el ocular se verá invertida como en un espejo. Es normal en un telescopio astronómico.

5. Cuando el objeto esté centrado en el ocular de 25 mm, encienda el localizador de punto rojo girando el mando de encendido del lado derecho del localizador en el sentido de las agujas del reloj. Escuchará un chasquido que confirmará que el localizador se ha encendido. Este mando también controla el brillo del punto rojo. Gire el mando hasta el máximo para hacer que el punto sea lo más brillante posible.
6. Con la cabeza a aproximadamente 30cm del localizador, mire por la lente redonda del localizador y localice el punto rojo. Probablemente esté cercana, pero no encima, del objeto que observe por el ocular de 25 mm.
7. Sin mover el telescopio, use los dos mandos de ajuste del lateral y bajo el localizador StarPointer (Figura 8). Uno controla el movimiento izquierda-derecha del punto. El otro controla el movimiento arriba-abajo del punto. Ajuste ambos hasta que el punto rojo aparezca sobre el mismo objeto que esté observando con el ocular de 25 mm.

El localizador StarPointer estará alineado.

NOTA: Asegúrese de apagar el localizador StarPointer cuando no lo use para conservar la energía de la batería.



Fig. 8

PREPÁRESE PARA OBSERVAR

Ahora que el telescopio está ensamblado y el StarPointer alineado, conéctelo a su teléfono o tableta. Recomendamos que se familiarice con el telescopio y la app de día, antes de usarlos de noche.

PRECAUCIÓN: Recuerde no apuntar nunca el telescopio al Sol de día sin usar un filtro solar adecuado de apertura completa.

1. Conecte el paquete de baterías al puerto de alimentación en la base del telescopio, (Figura 9). El testigo WiFi rojo del brazo se iluminará, indicado el estado de encendido y de preparación para WiFi. Asegúrese de que el pequeño interruptor cercano a la toma de alimentación esté en posición DERECHA como se indica en la imagen.
2. Acceda a la configuración WiFi de su dispositivo y conecte con la red "Celestron-xx". Espere a que el dispositivo confirme que se ha conectado correctamente.

3. Abra Celestron Sky Portal y seleccione "Conectar al telescopio". Aparecerán flechas en pantalla para ARRIBA/ABAJO e IZQUIERDA/DERECHA. Estos movimientos se denominan altitud y azimut respectivamente.

4. Use las flechas para mover el telescopio. Un deslizador ajustará la velocidad del motor.

Comience apuntando a objetos terrestres lejanos.

Localice algo con el StarPointer primero, y mire a continuación al objeto con el ocular de 25 mm. Pase al ocular de 10 mm, y observe cómo se incrementa el aumento y se reduce el campo de visión. Cuando cambie oculares puede tener que volver a ajustar el enfoque ligeramente para obtener la imagen más definida posible.

Ahora que se ha familiarizado con su telescopio está listo para comenzar a observar el firmamento nocturno.



Astro Fi TELESCOPIO



Interrupción WiFi en posición derecha

ALINEACIÓN DE SU ASTRO FI

Para aprovechar al máximo su Astro Fi 5 computarizado debe alinear primero el telescopio con el firmamento usando la aplicación Celestron SkyPortal. Cuando esté alineado, el telescopio localizará automáticamente cualquier objeto celeste que seleccione en pantalla. El telescopio también sigue automáticamente objetos en el firmamento a medida que gira la Tierra. Así los objetos se mantienen centrados en el ocular, y resulta fácil compartir observaciones con familia y amigos.

1. Instale el telescopio del mismo modo que lo ha hecho de día. Asegúrese de tener instalado el ocular de 25 mm. Ponga el trípode a una altura cómoda y nivélelo. Conecte el paquete de baterías al puerto de alimentación del telescopio.
2. Conecte con la red WiFi "Celestron-xx". Abra la aplicación SkyPortal y confirme la hora y ubicación en pantalla. Se debería actualizar automáticamente en el dispositivo. Si no es el caso puede acceder a la configuración de la aplicación y actualizarla manualmente. Seleccione el icono del telescopio en su pantalla y pulse "Conectar y alinear".

La aplicación le orientará por cada paso. Siga las instrucciones en pantalla.

¡SAQUE A SU ASTRO FI A DAR UNA VUELTA!

Ahora que su Astro Fi está alineado, la aplicación SkyPortal le orientará por el universo con su planetario interactivo. Aguante su dispositivo hacia el firmamento y podrá identificar fácilmente estrellas brillantes, constelaciones, planetas y objetos del espacio profundo externos a nuestro sistema solar. SkyPortal orientará el telescopio a cualquiera de estos objetos. Toque el objeto en la pantalla y seleccione "Ir a". También puede seleccionar el icono de búsqueda para introducir el nombre de un objeto, como "Nebulosa de Orión", "Júpiter" o "Pléyades".

FOTOGRAFIAR CON SU TELÉFONO

Ahora que ha observado con su telescopio, el paso siguiente es capturar una imagen de lo que está viendo. Su telescopio tiene un adaptador de teléfono integrado en la tapa de la lente. Para usar esta característica:

1. Comience sacando la tapa naranja de la apertura para cámara en la tapa de la lente. Puede hacerlo tirando de la pestaña de goma naranja del interior de la tapa de la lente. La tapa debería salir directamente. La tapa y la pestaña pueden apartarse presionando la pestaña contra el clip de sujeción situado en la parte posterior de la tapa de la lente, al lado del soporte del ocular.



2. Gire la tapa de forma que el exterior de ésta mire hacia arriba. Levante las correas y deslice el teléfono entre ellas y la tapa de la lente, de forma que la cámara esté orientada mirando por la apertura para la cámara. Las correas deberían ofrecer una tensión suficiente para aguantar el dispositivo contra la tapa, y la arandela de silicona negra ofrecerá la fricción suficiente para evitar que el teléfono se desplace.



RECOMENDACIÓN: Dependiendo del diseño del teléfono, la cámara puede estar en el centro del dispositivo o en una esquina. Puede que desee cambiar el ángulo de las correas para asegurar mejor el teléfono. Dispone de ocho puntos de anclaje distintos para elegir por el borde de la tapa de la lente. Recolóquelos en distintos puntos de anclaje para obtener el mejor resultado posible.



3. Gire la tapa y asegúrese de que la lente de la cámara esté centrada en la apertura de la tapa de la lente. Cuanto mejor centrada esté, más fácil será capturar imágenes por el telescopio.

4. Afloje los tornillos situados en el soporte del ocular, en el interior de la tapa de la lente. Coloque la sección negra del ocular en el soporte del ocular y apriete los tornillos para asegurar el ocular en posición.



5. Tome la tapa de la lente con el teléfono y el ocular instalados e introduzca el cañón cromado del ocular en la diagonal en la parte posterior del enfoque del telescopio. Asegúrelo en posición fijando los tornillos de la diagonal.

6. Active su app de cámara en el teléfono y ajuste el enfoque, como lo haría con el ocular, usando la imagen que aparece en la pantalla.



NOTA: Asegúrese de apagar el flash del teléfono.

7. Cuando aparezca la imagen definida, capture la imagen.

Es preferible intentarlo durante el día primero, y cuando todo esté configurado correctamente, salir al exterior e intentar fotografiar la Luna. Cuando haya practicado y se sienta cómodo usando el ocular de 20 mm, intente usar el adaptador de cámara con el ocular de 10 mm para un aumento superior.

RECOMENDACIONES Y TRUCOS PARA FOTOGRAFIAR

Controles de cámara

Las app de cámara estándar que están preinstaladas en el teléfono ofrecen controles muy rudimentarios y han sido diseñadas para ajustar automáticamente el enfoque y la exposición. No resulta un problema para la fotografía habitual, por ejemplo en paisajes y retratos, pero puede ser un problema para capturar imágenes de un planeta o la Luna, en la que se dispone de un objeto muy brillante contra un firmamento muy oscuro. La cámara del teléfono intenta compensar el desequilibrio de iluminación haciendo más claras las zonas oscuras, lo que provoca que las zonas claras tengan una exposición excesiva y se pierda el detalle. Si la configuración de su app de cámara no le permite seleccionar manualmente el punto de enfoque o tiene la opción de desactivar el autofocus o exposición automática, puede que quiera considerar usar una app de cámara distinta. Puede encontrar muchas apps para iOS y Android que ofrecen un mayor control de la cámara. Muchas son gratuitas.

Vibración

Para ayudar a eliminar cualquier vibración producida cuando toque la cámara para capturar la imagen, intente usar un retraso del obturador. Algunas apps ofrecen un retraso de 2, 5 o 10 segundos antes de capturar la imagen. De este modo se pueden disipar las vibraciones antes de capturar la imagen.

Sujetos de fotografía

Con este método debería poder capturar imágenes de objetos terrestres de día e imágenes astronómicas nocturnas de la Luna y planetas brillantes (Venus, Marte, Júpiter y Saturno). Por desgracia, los sensores de la cámara de un teléfono no han sido diseñados para funcionar correctamente con muy poca luz, por lo que no será posible capturar objetos astronómicos tenues como galaxias o nebulosas de este modo.

Aumento

Cuando observe la Luna o planetas con un telescopio estacionario, observará que el objeto parece moverse por el campo de visión. Este movimiento es causado por la rotación de la Tierra. Si observa por el ocular de 20 mm, un planeta tardará aproximadamente 3,0 minutos para moverse por el campo de visión completo del ocular. Si usa el ocular de 10 mm, solamente tardará 1,5 minutos. El teléfono no usa el campo de visión completo del ocular, solamente usa su centro, haciendo que el movimiento parezca más rápido aún. Cuando centre un objeto astronómico en el campo de visión del teléfono, intente anticiparse al objeto. Pruebe a apuntar el telescopio por delante del planeta de forma que apenas entre en el campo de visión. De este modo se maximizará el tiempo que tarda en recorrer todo el campo de visión, permitiendo disponer de más tiempo para capturar imágenes antes de necesitar volver a apuntar el telescopio. El ocular de 10 mm tendrá un campo de visión más estrecho, y deberá por tanto ajustarse más a menudo. Al principio será más sencillo trabajar con el ocular de 20 mm. Cuando se sienta cómodo con él, pruebe a pasar al ocular de 10 mm.

RECURSOS ADICIONALES

Contactar con Celestron

Para obtener asistencia con este producto, contacte con nuestro departamento de soporte técnico en el (310) 328-9560, o puede contactar con el soporte de Celestron online accediendo a nuestro sitio web (www.celestron.com) y pulsando en la pestaña "Soporte" en la parte superior de la página. Aquí podrá buscar en una exhaustiva base de datos de preguntas frecuentes o enviar una solicitud de asistencia.

Puede enviar correspondencia escrita a:

Celestron • 2835 Columbia Street • Torrance, CA 90503

ESPECIFICACIONES

SKU #	22204	
Diseño óptico	Schmidt-Cassegrain	
Apertura	125 mm (4,9")	
Longitud focal	1250 mm	
Apertura focal	f/10	
Recubrimiento de ópticas	StarBright XLT	
Ocular / Aumento	25 mm Kellner (1,25") / 50x; 10 mm Kellner (1,25") / 125x;	
Localizador	Localizador de punto rojo StarPointer	
Resolución	Rayleigh: 1,11 arcosegundos / Límite Dawes: 0,93 arcosegundos	
Capacidad de captura lumínica	329x del ojo desnudo	
Aumento máximo útil	295x	
Aumento mínimo útil	18x	
Magnitud estelar límite	13	
Tripode	Aluminio de altura ajustable	
Garantía	2 años	
Longitud de tubo óptico	13 pulgadas (33 cm)	
Peso total del kit de telescopio	14,2 libras	



NOTAS

GARANTÍA LIMITADA POR DOS AÑOS DE CELESTRON

A. Celestron garantiza que su telescopio está libre de defectos de material y mano de obra durante dos años. Celestron reparará o sustituirá el producto o parte del mismo si, al ser inspeccionado por Celestron, demuestra tener defectos de materiales o mano de obra. Como condición de la obligación de Celestron de reparar o sustituir dicho producto, el producto debe ser devuelto a Celestron junto con una prueba de compra adecuada para Celestron.

B. Debe obtener un número de autorización de devolución adecuado de Celestron antes de la devolución. Llame a Celestron al (310) 328-9560 para recibir el número que se mostrará en el exterior del recipiente de transporte.

Cualquier devolución debe ir acompañada de una declaración por escrito en la que conste el nombre, dirección y número de teléfono de contacto durante el día del propietario, junto con una breve descripción de cualquier defecto reclamado. Las piezas o productos sustituidos pasarán a ser propiedad de Celestron.

El cliente será responsable de cualquier coste de transporte y seguros, tanto hacia como desde la fábrica de Celestron, y deberá cubrir dichos costes.

Celestron realizará todos los esfuerzos razonables para reparar o sustituir cualquier telescopio cubierto por esta garantía en los treinta días siguientes a su recepción. En caso de que la reparación o sustitución precise de más de treinta días, Celestron se lo notificará al cliente. Celestron se reserve el derecho de sustituir cualquier producto que haya sido dejado de fabricar por un nuevo producto de valor y función comparables.

Esta garantía será nula y sin efecto en caso de que un producto cubierto haya sido modificado en su diseño o función, o sometido a abuso, mal uso, mala manipulación o reparación no autorizada. Además, las averías o deterioro del producto por desgaste normal no están cubiertos por esta garantía.

CELESTRON RECHAZA TODA RESPONSABILIDAD POR GARANTÍAS, EXPLÍCITAS O IMPLÍCITAS, SEAN DE ADECUACIÓN COMERCIAL PARA UN USO ESPECÍFICO, SALVO LAS EXPLÍCITAMENTE AQUÍ DECLARADAS. LA ÚNICA OBLIGACIÓN DE CELESTRON EN ESTA GARANTÍA LIMITADA SERÁ REPARAR O SUSTITUIR EL PRODUCTO CUBIERTO, DE ACUERDO CON LOS TÉRMINOS AQUÍ ESTABLECIDOS. CELESTRON RECHAZA EXPLÍCITAMENTE CUALQUIER PÉRDIDA DE BENEFICIOS, DAÑOS GENERALES, ESPECIALES, INDIRECTOS O CONSIGUIENTES QUE PUEDAN RESULTAR DE LA VULNERACIÓN DE CUALQUIER GARANTÍA, O SURJAN DEL USO O INCAPACIDAD PARA USAR CUALQUIER PRODUCTO CELESTRON. CUALQUIER GARANTÍA IMPLÍCITA QUE NO PUEDA REHUSARSE SERÁ LIMITADA EN SU DURACIÓN A UN TÉRMINO DE DOS AÑOS DESDE LA FECHA DE COMPRA ORIGINAL.

Algunos estados no permiten la exclusión o limitación de datos incidentales o consiguientes, ni permiten limitar el tiempo que dura una garantía implícita, por lo que las limitaciones indicadas o exclusiones pueden no serle aplicables.

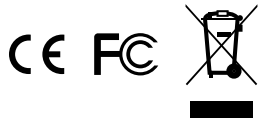
Esta garantía le ofrece derechos legales específicos, y puede tener otros derechos, que varían según el estado.

Celestron se reserva el derecho de modificar o cesar, sin previo aviso, cualquier modelo o estilo de telescopio.

Si surgen problemas de garantía, o necesita asistencia al usar su telescopio, contacte con:

Celestron
Departamento de servicio al cliente Tel. (310) 328-9560
2835 Columbia Street Fax. (310) 212-5835
Torrance, CA 90503 Lunes-Viernes 8AM-4PM PST

NOTA: Esta garantía tiene validez para clientes de EE.UU. y Canadá que hayan adquirido este producto en un vendedor autorizado de Celestron en EE.UU. y Canadá. La garantía fuera de EE.UU. y Canadá solamente tiene validez para clientes que hayan comprado en un distribuidor internacional de Celestron o un vendedor de Celestron autorizado en el país específico. Contacte con ellos para obtener servicio de garantía.



NOTA FCC: Este equipo ha sido probado y cumple con los límites de un dispositivo digital de Clase B, según el apartado 15 de las normas FCC. Estos límites están diseñados para proporcionar una protección razonable contra interferencias dañinas en una instalación doméstica. Este equipo genera, usa e irradia energía de radiofrecuencia y, si no se instala y utiliza de acuerdo con las instrucciones, puede provocar interferencias dañinas en comunicaciones por radio. Sin embargo, no existe ninguna garantía de que no se produzcan interferencias en una instalación concreta. Si este equipo causa interferencias perjudiciales en la recepción de radio o televisión, lo que puede determinarse encendiendo y apagando el equipo, se recomienda al usuario que intente corregir la interferencia con una o más de las medidas siguientes:

- Reorientar o recolocar la antena receptora.
- Aumentar la separación entre el equipo y el receptor.
- Conectar el equipo a una toma de un circuito distinto al que esté conectado el receptor.
- Consultar al vendedor o aun técnico experimentado de radio/TV para obtener ayuda.

El diseño y las especificaciones del producto están sujetos a cambios sin notificación previa.

Este producto ha sido diseñado y está pensado para ser usado por personas de 14 años o más de edad.



© 2018 Celestron • Todos los derechos reservados
www.celestron.com
2835 Columbia Street • Torrance, CA 90503 EE.UU.
Teléfono: 800.421.9649

22204

01-18

Impreso en China



ASTRO FI™

MANUALE DI ISTRUZIONI

MODELLI 22204



Schmidt-Cassegrain 5 Pollici



Astro Fi TELESCOPIO

CONTENUTO DELLA CONFEZIONE

Si consiglia di conservare la confezione del telescopio per riporre il telescopio quando non è in uso. Disimballare con attenzione la confezione poiché alcuni componenti sono di piccole dimensioni. Utilizzare l'elenco dei componenti fornito di seguito per verificare che siano presenti tutti i componenti e gli accessori.

ELENCO COMPONENTI



Fig. 1

AVVERTENZA SOLARE

Non guardare mai direttamente il Sole a occhio nudo o con un telescopio (a meno che non si disponga del corretto filtro solare). Ciò potrebbe causare danni irreversibili agli occhi.

Mai utilizzare il telescopio per proiettare un'immagine del Sole su una qualsiasi superficie. L'accumulo interno di calore può danneggiare il telescopio e i relativi accessori ad esso fissati.

Mai utilizzare un filtro solare per oculare o un prisma di Herschel. L'accumulo di calore all'interno del telescopio può causare l'incrinatura o la rottura di tali dispositivi, lasciando che la luce solare non filtrata passi attraverso l'occhio.

Non lasciare il telescopio incustodito, sia in presenza di bambini sia di adulti che potrebbero non avere familiarità con le corrette procedure di funzionamento del telescopio.

PREREQUISITI

Il telescopio Astro Fi richiede una delle seguenti fonti di alimentazione:

- 8 batterie tipo AA
- Fonte CC 12 volt con almeno 1 ampere di corrente
- PowerTank Celestron (venduto separatamente)

È inoltre necessario uno smartphone o un tablet per mettere in funzione il telescopio. Dispositivi compatibili: Apple iPhone o iPad con iOS 6 o successivo, e smartphone o tablet Samsung con Android 4.0. Visitare celestron.com per un elenco completo dei dispositivi compatibili.

Prima di iniziare, installare sul dispositivo l'app gratuita Celestron SkyPortal. Scaricare l'app da App Store o Google Play.

MONTAGGIO DEL TELESCOPIO

Non sono necessari attrezzi per montare il telescopio Astro Fi. Rimuovere tutti i componenti dall'imballaggio.

1. Aprire il treppiede fino a quando il supporto centrale non è completamente aperto (Figura 2).
2. Avvitare il bullone centrale nel vassoio porta-accessori (Figura 3).
3. Sistemare il gruppo del braccio a forcella sul treppiede e fissarlo mediante il bullone sulla sommità del treppiede (Figura 4).
4. Fissare il tubo ottico del telescopio sistemando la coda di rondine sull'apposito supporto sul braccio. Assicurarsi che la base della coda di rondine sia dritta sul supporto. Serrare fermamente il bullone (Figura 5).
5. Regolare il treppiede a un'altezza comoda e a livello, impiegando le manopole di blocco per fissare ciascuna gamba del treppiede.
6. Inserire otto batterie AA (non in dotazione) nel gruppo batteria, seguendo la posizione corretta dei segni + e -. Lasciare il gruppo batteria nel vassoio porta-accessori.

NOTA: il vassoio porta-accessori è dotato di un supporto specifico per lo smartphone o un piccolo tablet.



OCULARI E DIAGONALE STELLARE

L' Astro Fi 5 è dotato di due oculari, uno a bassa potenza da 25 mm e uno ad alta potenza da 10 mm. L'oculare scelto determina l'ingrandimento e il campo visivo. Quando si prepara il telescopio, iniziare sempre con l'oculare da 25 mm. Dopo avere localizzato l'oggetto, è possibile passare all'oculare più potente da 10 mm per ottenere una visione più dettagliata. Il telescopio viene inoltre fornito con una diagonale stellare. Il diagonale stellare posiziona l'oculare a un angolo più comodo di 90 gradi rispetto al telescopio e fornisce un'immagine dritta, anche se a specchio, con destra e sinistra invertite.



Fig. 6

Rimuovere tutti i tappi, quindi inserire il diagonale stellare nel supporto accessori visivi e serrare le due viti color argento. Inserire l'oculare da 25 mm e fissarlo serrando le due viti sul diagonale stellare.

IL CERCATORE STARPOINTER

Il telescopio è dotato di un cercatore StarPointer a puntino rosso che viene utilizzato come strumento di visione quando si punta il telescopio a un oggetto lontano.

Per installare il cercatore StarPointer:

1. Localizzare la coda di rondine posto nella parte superiore del tubo del telescopio.
2. Infilare la base del StarPointer sopra la coda di rondine montare sul telescopio. Fissarlo in posizione serrando la viti color argento.



Fig. 7

ALLINEAMENTO DEL CERCATORE STARPOINTER

La prima volta che si monta il telescopio è necessario allineare il cercatore StarPointer con le ottiche principali del telescopio. Non è necessario accendere il telescopio per effettuare questa operazione. Anche se questo passaggio può essere effettuato di notte, è considerevolmente più agevole farlo all'esterno di giorno. Una volta completato l'allineamento del cercatore, non è necessario ripetere questo passaggio salvo che il cercatore riceva un colpo o cada.

1. Portare il telescopio all'esterno durante il giorno e, a occhio nudo, individuare un oggetto facilmente riconoscibile, come ad esempio un semaforo, la targa di un'auto o un albero di grandi dimensioni. L'oggetto dovrebbe trovarsi il più lontano possibile, preferibilmente ad almeno 400 metri.
2. Rimuovere il coperchio principale dalla parte anteriore del telescopio estraendolo. Assicurarsi che sia installato nel focheggiatore l'oculare da 25 mm.
3. Non muovere il telescopio a destra e a sinistra mentre è spento. Spostare il treppiede montato in modo che il telescopio sia puntato verso l'oggetto scelto al punto 1.
4. Guardare attraverso il telescopio e muoverlo verso l'alto e verso il basso fino a quando l'oggetto scelto non si trova al centro. Se l'immagine è sfocata, ruotare con delicatezza le manopole di messa a fuoco a lato del telescopio fino a quando l'immagine non è nitida.

NOTA: L'immagine visualizzata nell'oculare apparirà capovolta. Ciò è perfettamente normale per un telescopio astronomico.

5. Una volta centrato l'oggetto nell'oculare da 25 mm, accendere il cercatore ruotando la manopola di accensione sulla destra del cercatore in senso orario. Sarà udibile un "clic" a conferma che il cercatore è stato acceso. La manopola è inoltre utile per regolare l'intensità del puntino rosso. Ruotare completamente la manopola fino alla fine per avere la massima luminosità per il puntino rosso.
6. Con la testa a circa 30 cm (1 piede) dal cercatore, guardare attraverso la finestrella rotonda del cercatore e trovare il puntino rosso. Sarà probabilmente vicino, non al di sopra dell'oggetto quando si guarda attraverso l'oculare da 25 mm.
7. Senza muovere il telescopio, utilizzare le due manopole di regolazione sul lato e sotto il cercatore StarPointer (Figura 8). Una controlla il movimento sinistra-destra del puntino. L'altra controlla il movimento su-giù. Regolare entrambe fino a quando il puntino rosso non si trova esattamente sopra l'oggetto osservato mediante l'oculare da 25 mm.

Il cercatore StarPointer è ora allineato.

NOTA: Per risparmiare batteria, assicurarsi di spegnere il cercatore StarPointer quando non in uso.



Fig. 8

PREPARAZIONI PER L'OSSERVAZIONE

Ora che il telescopio è montato e lo StarPointer allineato, è necessario effettuare il collegamento allo smartphone o al tablet. Si consiglia di prendere familiarità con il telescopio e l'app durante il giorno prima di utilizzarli di notte.

ATTENZIONE: Ricordarsi di non puntare il telescopio verso il Sole durante il giorno senza un filtro solare adeguato!

1. Collegare il gruppo batteria alla porta di alimentazione alla base del telescopio (Figura 9). La spia rossa del Wi-Fi sul braccio si accende indicando lo stato di acceso e di Wi-Fi attivo. Assicurarsi che il piccolo interruttore vicino alla presa di corrente sia in posizione DESTRA come mostrato in figura.
2. Sul proprio dispositivo, accedere al menu relativo alle impostazioni Wi-Fi e connettersi alla rete "Celestron-xx". Attendere la conferma del dispositivo dell'avvenuto collegamento.

3. Aprire Celestron Sky Portal e selezionare "Connect to Telescope" (Connetti al telescopio). Appariranno sullo schermo frecce per SU/GIÙ e SINISTRA/DESTRA. Questi spostamenti si riferiscono, rispettivamente, ad altitudine e azimuth.
4. Utilizzare le frecce per spostare il telescopio. Un cursore regola la velocità del motore.



Iniziare puntando a oggetti terrestri lontani. Localizzare prima qualcosa con lo StarPointer, quindi osservare l'oggetto utilizzando l'oculare da 25 mm. Passare all'oculare da 10 mm e osservare come aumenta l'ingrandimento e diminuisce il campo visivo. Quando si cambia oculare potrebbe essere necessario regolare la messa a fuoco per ottenere un'immagine nitida.

Ora che si ha familiarità con il telescopio, è possibile iniziare a osservare il cielo stellato!

Astro Fi TELESCOPIO



Fig. 9

Interruttore Wi-Fi in posizione destra

ALLINEAMENTO DI ASTRO FI

Per sfruttare al meglio il computerizzato Astro Fi 5, è necessario prima allineare il telescopio con il cielo utilizzando l'app Celestron SkyPortal. Una volta allineato, il telescopio localizza automaticamente gli oggetti celesti sullo schermo. Il telescopio traccia inoltre automaticamente gli oggetti del cielo durante la rotazione della Terra. Ciò mantiene gli oggetti al centro dell'oculare e semplifica la possibilità di condividere le immagini con familiari e amici.

1. Impostare il telescopio come fatto durante il giorno. Assicurarsi che è montato l'oculare da 25 mm. Impostare il treppiede a un'altezza comoda e a livello. Collegare il gruppo batteria alla porta di alimentazione sul telescopio.
2. Collegarsi alla rete Wi-Fi "Celestron-xx". Aprire l'app SkyPortal e confermare ora e località sullo schermo. Ciò dovrebbe essere aggiornato automaticamente dal dispositivo; in caso non avvenga è possibile andare alle impostazioni dell'app ed effettuare l'aggiornamento manualmente. Selezionare l'icona del telescopio sullo schermo, quindi premere "Connect and Align" (Connetti e allinea).

L'app guida l'utente passo dopo passo. Seguire semplicemente le istruzioni sullo schermo.

PORTARE FUORI L'ASTRO FI PER UNA PROVA

Una volta allineato l'Astro Fi, l'app SkyPortal guida l'utente attraverso l'universo utilizzando il suo planetario interattivo. Rivolgere il dispositivo verso il cielo per identificare facilmente le stelle, le costellazioni, i pianeti e gli oggetti dello spazio profondo al di fuori del Sistema Solare. SkyPortal consente di puntare il telescopio su uno qualsiasi di questi oggetti. Toccare semplicemente l'oggetto sullo schermo e selezionare "GoTo" (Vai A). È inoltre possibile selezionare l'icona di ricerca e immettere un nome come "Nebulosa di Orione", "Giove" o "Pleiadi".

CATTURARE IMMAGINI CON LO SMARTPHONE

Ora che si è osservato con il telescopio, il passo successivo è catturare le immagini di ciò che si osserva. Il telescopio è dotato di un adattatore per smartphone integrato nel tappo dell'obiettivo. Per usare questa funzione procedere come segue.

1. Iniziare estraendo il tappo arancione dall'apertura della fotocamera nel tappo dell'obiettivo. È possibile fare ciò tirando il cordino arancione posto all'interno del tappo dell'obiettivo. Il tappo deve saltare fuori. Il tappo e il cordino possono essere conservati sistemando il cordino nella clip posta sul retro del tappo dell'obiettivo vicino al supporto dell'oculare.



2. Ruotare il tappo in modo che l'esterno del tappo sia rivolto verso l'alto. Sollevare le fasce elastiche e far scorrere lo smartphone tra le fasce e il tappo dell'obiettivo in modo che la fotocamera sia rivolta verso l'apertura. Le fasce forniscono abbastanza tensione per tenere il dispositivo contro il tappo e l'anello nero in silicone fornisce l'aderenza necessaria per evitare che il cellulare scivoli via.



SUGGERIMENTO: A seconda del tipo di smartphone, la fotocamera può trovarsi al centro del dispositivo oppure in un angolo. Modificare l'angolazione delle fasce elastiche per fissare meglio il cellulare. Sono presenti otto diversi punti di ancoraggio intorno al bordo del tappo dell'obiettivo. Sistemare le fasce in diversi punti di ancoraggio per ottenere risultati ottimali.

3. Capovolgere il tappo e assicurarsi che la lente della fotocamera sia centrata sull'apertura del tappo dell'obiettivo. Più la fotocamera è centrata, più facile sarà catturare immagini attraverso il telescopio.



4. Allentare le viti poste sul supporto dell'oculare all'interno del tappo dell'obiettivo. Sistemare la parte nera dell'oculare nel supporto dell'oculare e serrare le viti per fissare l'oculare in posizione.



5. Prendere quindi il tappo dell'obiettivo e l'oculare montato e inserire il barilotto cromato dell'oculare nel diagonale sul retro del focheggiatore del telescopio. Fissarlo in posizione serrando le viti di regolazione sul diagonale.

6. Attivare l'app della fotocamera sullo smartphone e regolare la messa a fuoco, come si farebbe per l'oculare, questa volta utilizzando l'immagine che appare sullo schermo.

NOTA: Assicurarsi di spegnere il flash del cellulare.

7. Quando appare l'immagine scattare la foto.



È preferibile provare ciò durante il giorno; quindi, una volta che tutto è configurato correttamente, portare fuori il telescopio e provare a fare una foto alla Luna. Una volta fatta pratica e acquisita familiarità con l'uso dell'oculare da 20 mm, provare l'adattatore della fotocamera con l'oculare da 10 mm per un maggiore ingrandimento.

SUGGERIMENTI E TRUCCHI PER CATTURARE LE IMMAGINI

Comandi fotocamera

Le app standard della fotocamera pre-installate nello smartphone offrono dei comandi rudimentali e sono ideati per regolare automaticamente la messa a fuoco e l'esposizione. Per scattare semplici fotografie come ritratti o paesaggi ciò non è un problema, ma può esserlo quando si scattano fotografie di un pianeta o della Luna dove abbiamo un oggetto molto luminoso su uno sfondo molto scuro. La fotocamera del cellulare cerca di compensare lo sbilanciamento della luce illuminando le zone scure, ma ciò provoca una sovraesposizione delle zone luminose e annulla i dettagli. Se le impostazioni dell'app della fotocamera non consentono di selezionare manualmente il punto di messa a fuoco o presentano l'opzione di disabilitare la messa a fuoco o l'esposizione automatica, prendere in considerazione la possibilità di utilizzare una diversa app. Sono disponibili numerose app per iOS e Android che offrono un elevato controllo della fotocamera. La maggior parte sono gratuite.

Vibrazione

Per eliminare le vibrazioni date dal tocco della fotocamera per scattare l'immagine, provare a usare una funzione di ritardo di scatto dell'otturatore. Alcune app offrono un ritardo di 2, 5 o 10 secondi prima di scattare l'immagine. Ciò consente di dissipare le vibrazioni prima di catturare le immagini.

Soggetti da catturare

Utilizzando questo metodo è possibile scattare immagini di oggetti terrestri di giorno e immagini astronomiche notturne della Luna e dei pianeti più luminosi (Venere, Marte, Giove e Saturno). Purtroppo i sensori delle fotocamere degli smartphone non sono ideati per funzionare a ridotta luminosità, pertanto non è possibile catturare in questo modo oggetti astronomici con luce tenue come galassie e nebulose.

Ingrandimento

Quando si osserva la Luna o i pianeti con un telescopio fisso, è possibile notare che l'oggetto sembra spostarsi all'interno del campo visivo. Ciò è dovuto alla rotazione della Terra. Se si osserva attraverso l'oculare da 20 mm, un pianeta impiega circa 3 minuti per percorrere l'intero campo visivo. Se si utilizza un oculare da 10 mm, impiega circa 1,5 minuti. Lo smartphone non utilizza l'intero campo visivo dell'oculare e usa solo il centro, facendo apparire il movimento ancora più veloce. Quando si centra un oggetto astronomico nel campo visivo del cellulare, cercare di anticipare l'oggetto. Cercare di puntare il telescopio davanti al pianeta in modo che stia per entrare all'interno del campo visivo. Ciò ottimizza il tempo per percorrere il campo visivo, fornendo più tempo per scattare le immagini prima di ri-puntare il telescopio. L'oculare da 10 mm ha un campo visivo più stretto e necessita di conseguenza di essere regolato più spesso. All'inizio è più facile lavorare con l'oculare da 20 mm. Una volta acquisita familiarità, è possibile passare all'oculare da 10 mm.

RISORSE AGGIUNTIVE

Come contattare Celestron

Per assistenza sul prodotto, contattare il nostro reparto di assistenza tecnica al numero (310) 328-9560, oppure contattare l'Assistenza Celestron online visitando il nostro sito web (www.celestron.com) e facendo clic sulla scheda "Support" (Assistenza) in cima alla pagina. Qui è disponibile un ampio database di domande frequenti da consultare oppure è possibile inviare una richiesta di assistenza.

Inviare la corrispondenza scritta a:

Celestron • 2835 Columbia Street • Torrance, CA 90503

SPECIFICHE

ART N.	22204	
Design ottico	Schmidt-Cassegrain	
Apertura	125 mm (4,9")	
Lunghezza focale	1250 mm	
Rapporto focale	f/10	
Rivestimenti ottici	StarBright XLT	
Ingrandimento dell'oculare:	25 mm Kellner (1,25") / 50x; 10 mm Kellner (1,25") / 125x;	
Cercatore	Cercatore StarPointer a puntino rosso	
Risoluzione	Rayleigh: 1,11 arcosecondi / Limite Dawes: 0,93 arcosecondi /	
Potere di raccolta della luce	329x occhio nudo	
Massimo ingrandimento utile	295x	
Minimo ingrandimento utile	18x	
Limite di magnitudine stellare	13	
Treppiede	Altezza regolabile, in alluminio	
Garanzia	2 anni	
Lunghezza del tubo ottico	33 cm (13")	
Peso totale del kit per telescopio	14,2 libbre	



NOTE

GARANZIA LIMITATA DI DUE ANNI CELESTRON

A. Celestron garantisce che il telescopio è privo di difetti nei materiali e nella fabbricazione per due anni. Celestron riparerà o sostituirà tale prodotto o parte dello stesso che, dopo una verifica da parte di Celestron, risulti essere difettoso nei materiali o nella fabbricazione. Come condizione dell'obbligo di Celestron di riparare o sostituire detto prodotto, il prodotto deve essere restituito a Celestron assieme a una prova d'acquisto che sia soddisfacente per Celestron.

B. Prima dell'invio del prodotto per la restituzione è necessario ottenere da Celestron un codice di autorizzazione alla restituzione. Chiamare Celestron al numero (310) 328-9560 per ricevere il numero da mostrare all'esterno della confezione di spedizione.

Tutte le restituzioni devono essere accompagnate da una dichiarazione scritta indicante il nome, l'indirizzo e un numero di telefono del proprietario, assieme a una breve descrizione del difetto reclamato. Le parti del prodotto per cui si effettua la sostituzione diventano proprietà di Celestron.

Il cliente è responsabile di tutti i costi di trasporto e assicurazione, da e verso la fabbrica di Celestron, che devono essere pagati in anticipo.

Celestron si impegna a riparare o sostituire ogni telescopio coperto da garanzia entro 30 giorni dalla ricezione. In caso la riparazione o la sostituzione richieda più di trenta giorni, Celestron notificherà il cliente di conseguenza. Celestron si riserva il diritto di sostituire qualsiasi prodotto di cui sia stata interrotta la produzione con un prodotto nuovo di valore e funzione simile.

La presente garanzia sarà annullata e non sarà più in vigore o efficace nel caso in cui un prodotto coperto da garanzia sia stato modificato nel design o nelle funzioni, o si sospetti l'abuso, l'uso improprio, cattiva gestione o riparazioni non autorizzate. Inoltre, il malfunzionamento o il deterioramento del prodotto dovuti alla normale usura del prodotto non sono coperti dalla garanzia.

CELESTRON DECLINA QUALSIASI GARANZIA, ESPRESSA O IMPLICITA, SIA DI COMMERCIALITÀ SIA DI ADEGUATEZZA PER UN DETERMINATO SCOPO, ECCEPTE NEI CASI ESPRESSAMENTE QUI INDICATI. IL SOLO OBBLIGO DI CELESTRON RELATIVO A QUESTA GARANZIA LIMITATA È QUELLO DI RIPARARE O SOSTITUIRE IL PRODOTTO COPERTO DALLA GARANZIA SECONDO I TERMINI QUI INDICATI. CELESTRON DECLINA QUALSIASI GARANZIA PER PERDITE DI PROFITTI O DANNI GENERALI, SPECIALI, INDIRETTI O CONSEGUENTI DERIVATI DALLA VIOLAZIONE DELLA GARANZIA, O DALL'USO O L'INCAPACITÀ DI UTILIZZO DI QUALSIVOGLIA PRODOTTO CELESTRON. LE GARANZIE IMPLICITE E CHE NON POSSONO ESSERE DECLINATE SONO LIMITATE NELLA DURATA A UN TERMINE DI DUE ANNI DALLA DATA D'ACQUISTO.

Alcuni Stati non consentono l'esclusione o la limitazione di danni accidentali o conseguenti, o limitazioni sulla durata di una garanzia implicita, per cui le limitazioni ed esclusioni sopra indicate potrebbero non essere applicabili.

La presente garanzia dà all'utente specifici diritti legali, oltre ad altri diritti che possono variare da Stato a Stato.

Celestron si riserva il diritto di modificare o sospendere la produzione, senza previa notifica, di qualsivoglia modello o stile di telescopio.

Nel caso in cui sorgano problemi di garanzia, o se si necessita di assistenza per l'uso del telescopio, contattare:

Celestron
 Reparto di assistenza clienti Tel. (310) 328-9560
 2835 Columbia Street Fax. (310) 212-5835
 Torrance, CA 90503 Dal lunedì al venerdì dalle 8 am alle 4 pm PST

NOTA: La presente garanzia è valida per i clienti di Stati Uniti e Canada che hanno acquistato il proprio prodotto da un rivenditore Celestron autorizzato negli Stati Uniti o in Canada. La garanzia al di fuori di Stati Uniti e Canada è valida esclusivamente per i clienti che hanno effettuato l'acquisto da un distributore internazionale Celestron o da un rivenditore autorizzato Celestron nello specifico Paese. Contattare tali rivenditori per qualsiasi tipo di assistenza relativamente alla garanzia.



NOTA FCC: La presente apparecchiatura è stata testata ed è risultata conforme ai limiti imposti per i dispositivi digitali di Classe B, ai sensi della Parte 15 delle Norme FCC. Tali limiti sono stati ideati per fornire un'adeguata protezione nei confronti di interferenze dannose in installazioni residenziali. La presente apparecchiatura genera, utilizza e può irradiare energia in radio frequenza e, se non installata e utilizzata conformemente alle istruzioni, può causare interferenze dannose alle comunicazioni radio. Tuttavia, non esiste alcuna garanzia che l'interferenza non si verifichi in una particolare installazione. Nel caso in cui la presente apparecchiatura causi interferenze dannose alla ricezione radio o televisiva, il che potrebbe essere determinato dall'accensione e dallo spegnimento dell'apparecchiatura, l'utente è incoraggiato a tentare di correggere l'interferenza mediante una o più delle misure seguenti:

- Riorientare o riposizionare l'antenna di ricezione.
- Aumentare la distanza tra l'apparecchiatura e il ricevitore.
- Collegare l'apparecchiatura a una presa su un circuito diverso da quello a cui è collegato il ricevitore.
- Consultare il rivenditore o un tecnico specializzato per ricevere assistenza.

Il design del prodotto e le specifiche sono soggetti a modifiche senza previa notifica. Questo prodotto è progettato per essere utilizzato da persone di età pari o superiore ai 14 anni.



© 2018 Celestron • Tutti i diritti riservati.
 www.celestron.com
 2835 Columbia Street • Torrance, CA 90503 U.S.A.
 Telefono: 800.421.9649

22204

01-18

Stampato in Cina