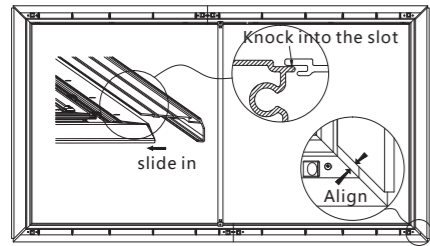


III . Decorative frame assembly

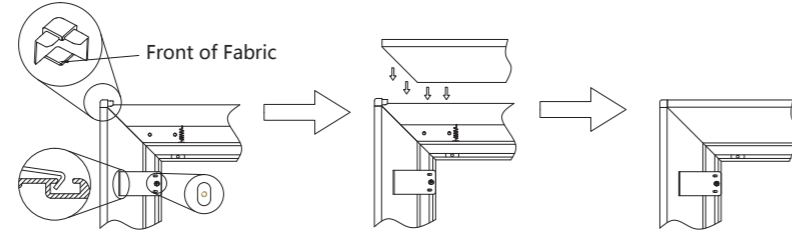
a. Place the screen on the ground(face down), first take two vertical decorative frames and insert them into the corresponding inner frame; adjust the position of the decorative frame and refer to the 45° cutting edge of the inner frame; (Note: the decorative frames must knock into the slot of inner frame)

b. Slide the pre-assembled round nut to the end of both sides, use the fasten piece to hold the decorative frames, and the hole of the fasten piece should align with the round nut. use M5X6 screw to fasten after inserted the plastic corner on the two end of the decorative frame; take the remaining horizontal decorative plates into the corresponding inner frame and fasten with the fasten piece. (Note: the plastic corner has a mounting direction, and the notch is on the front of the screen, see the figure below)

III /a



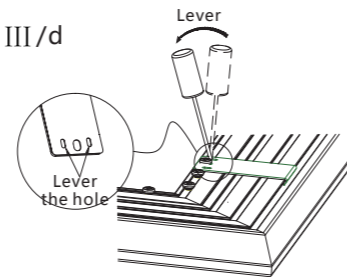
III /b



c. Adjust the position of the four decorative frames to minimize the gap between the four corners of the 45° trimming surface, and tighten the screws to complete the screen installation. It is recommended that the fasten piece be installed first in the four corners and then in the middle.

d. Note: When the gap of 45° edge of the four corners is too large to press the two decorative plates, it can use a steel bar to stuck into the hole of the fasten piece and give more strength hold it.

III /d



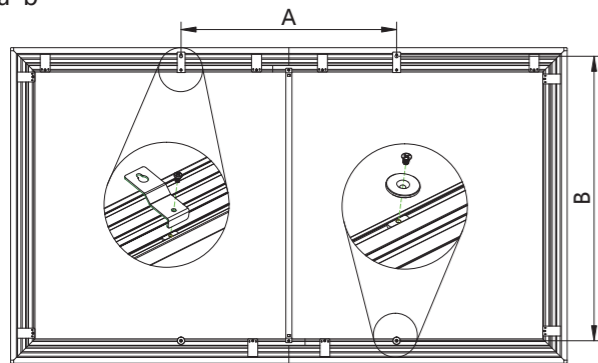
IV . Fasten screen method

a. Slide the remaining round nuts on the inner frame to position them at the 3/5 position of the total length of the screen from each end. Use M5*8mm screw to fasten the hanging plate. Under the screen, in the vertical direction, use the M5*8mm screw to fasten the attaching chips.

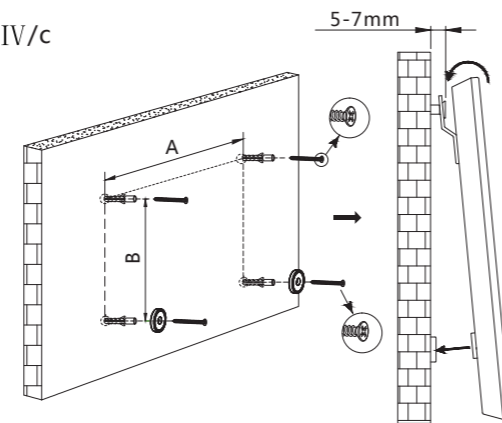
b. Using a suitable tool to drill the holes, horizontally install the plastic expansion anchor at a suitable upper position. The horizontal distance A is equal to the hole distance of the hanging plate. Screw in a 5x50 tapping screw, the screw head from the wall surface is about 5-7mm. In the corresponding lower position, the magnets is installed vertically, and the distance B is equal to the total height of the screen minus 117 mm.

c. To lift the screen by two persons, the upper side is slightly inclined to the wall , the hanging plate hole is aligned with the Countersunk head screw on the wall, after hanging the screen of the upper side, then put the screen lightly , and the magnets plate will attach to the attaching chips to complete the fixing of the screen. (Please check if the screen is secure. If necessary, adjust the position of the attaching chips to make it aligned)

IV/a-b



IV/c

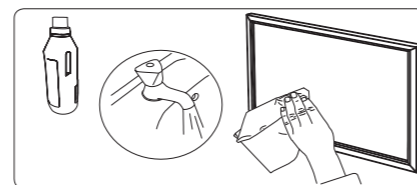


Screen Maintenance

In order to ensure that you have a good screen viewing quality for a long time, please cover the screen with a curtain when you are not using it, it can prevent dust and dirt from contaminating the fabric.

Screen Clean

Please use warm water or a soft soapy water to clean the fabric lightly. Remember that the cleaning method can not tear the fabric forcefully to avoid permanent deformation; it is forbidden to use Diluent, organic solvent, corrosive detergent.



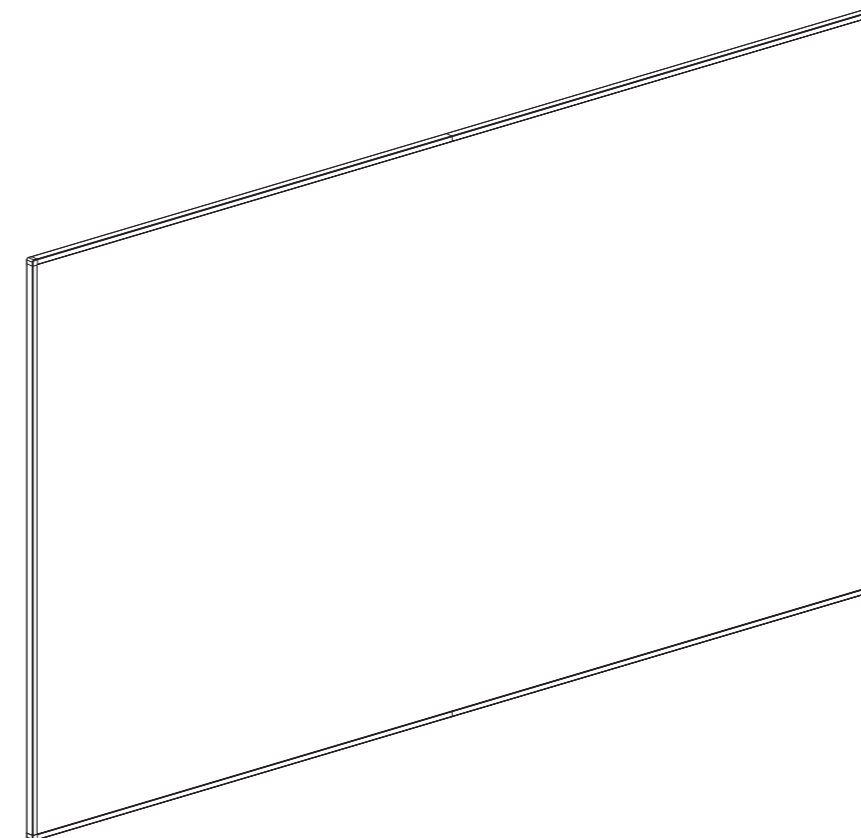
GRANDVIEW CRYSTAL SCREEN CO.LTD.

NO 43.S,Guomao Ave.Hualong,Panyu,Guangzhou,GuangDong.P.R.C
After sales service Tel:020-84899499

Grandview

Edge R3 Fixed Frame Screen Installation User Manual

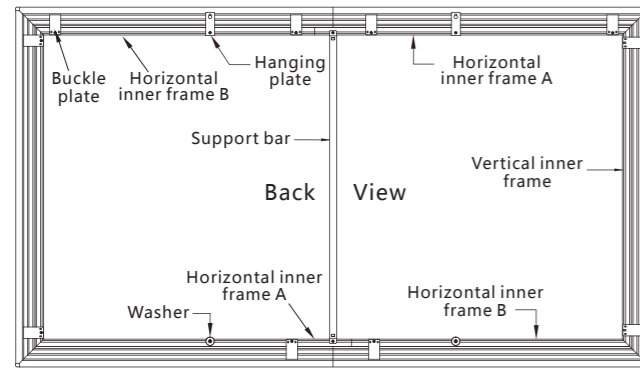
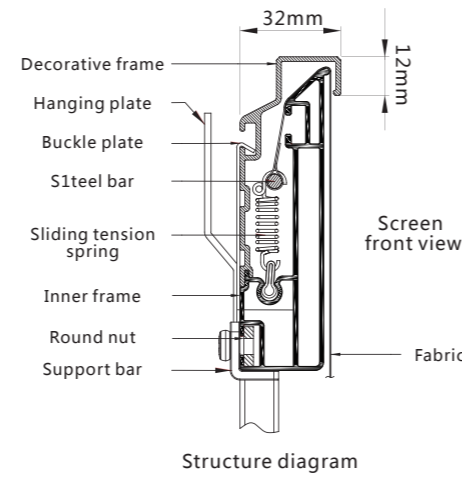
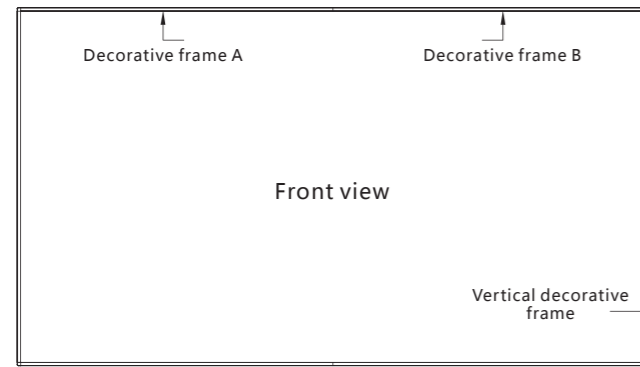
Model : PE-Lxxx(R3)



Reminders

- Thank you for purchasing Grandview products. Please read the instructions carefully before installation , and please keep this Manual after reading for future reference.
- Please assemble the screen on a clean site, it can help to protect the Fabric and the frame.
- The edge of the screen frame is sharp, please protect yourself during assembly to prevent cuts.

Screen structure



Fabric type	Ordinary	Acoustic fabric	ALR			
Code	WB5, WB7, WW3, GG3, GG7, UHD130	AW6	DY2	DY4	DY1	DY3
Projector type	Standard throw or short throw			Ultra short throw		

Screen component

Please check whether the screen components are complete before assembly; some screws and accessories have a margin for replacement during the installation process.

Screen assembly method

I. Inner frame connection method

a. In order to make the packaging easier, the inner frame and the decorative frame have been fixed together at the factory. Before assembling the inner frame, please separate the inner frame and the decorative frame at first, use the screwdriver, to remove the screws on the fasten piece; separate all the inner frame and the decorative frame and place them on the pearl cotton film.

b. Connect the horizontal inner frame: take the horizontal inner frame A with the pre-assembled corner piece to connect the corresponding horizontal inner frame B; Method: insert the corner piece into the corresponding groove until the buckle pop up, lock the M5X8 screw; finish the connection of two horizontally inner frame.

c. Check the pre-assembled parts: take the connected horizontal inner frame and the connected vertical inner frame and put them like a rectangle. Check the number of the springs and round nut in the inner frame is correct. please make up enough first If you find it is missing. (The quantity of screen punch holes = the quantity of springs, the horizontal side and the vertical side correspond one by one) show as the follows chart.

Ratio	16 : 9 or 16 : 10						
Screen size	92"	100"	106"	110"	120"	133"	150"
Quantity of horizontal sides	10	12	14	12	14	16	16
Quantity of vertical sides	6	7	8	7	8	10	10
Quantity of round nut	Fixed value: horizontal frame: 7pcs and vertical frames: 2pcs						

Remarks: the round nut quantity of DY1, DY3 are more than other fabrics.(see the chart in grey color)

d. Connect the horizontal and vertical inner frames: use the corner piece to connect the nearby frames and move the position to make both buckles pop up. It is recommended to connect the inner frame from steps by steps (figure I/c-d). (Note: the edge of the cut is sharp please careful when install; when the buckle is not in place, it can be used a small steel rod to adjust by inserting into the hole.)

e. Support bar installation: Take the support bar, Insert the plastic connection part at both ends and fix it with the M5X8 screw on the round nut in the middle, adjust it to the center, and complete the installation of the inner frame.

f. Note: If the screen you are purchasing is a woven acoustic screen, you must insert a black Non woven fabric between the frame and the fabric to block the reflective light of the aluminum frame before installing the screen.

II. Screen installation

a. Place the fabric on the EPE foam (viewing area side face down) (note that the ground must clean, and there should be no raised objects on the bottom of the screen). The frame is placed face down on the screen, take the long tension rod inserted into the corresponding crimping holes respectively to ensure that The exposed ends of the tension rod are all equal in length. (The two longer tension rods are for fabric edge on vertical frame)

b. Adjust the position of the frame and the fabric to make it centered; reduce the difficulty of fabric installation.

c. Use the hook to adjust the springs position, every spring should be dragged to the corresponding screen holes to prepare the installation screen.

d. Fold the fabric edge, pull the springs with the hook, and hang the it on the steel bar in the hole of the fabric; it is recommended to hang the 2-3 springs in the middle of the four sides, adjust the position of the fabric to center, and then hang the four corners, and finally Hang up all the rest.

e. If there are creases, fluffs, etc., the reason is that the fabric is not fully tightened, you can gently adjust it from the middle to the outside until the four corners of the fabric completely cover the border of the frame.

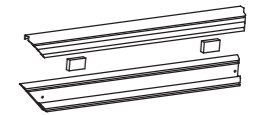
Precautions:

1. When you purchase a flexible soft fabric, due to the shrinkage of the fabric material, the size of the fabric will be reduced after a long time, and it can be appropriately stretched during installation.

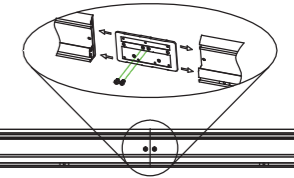
2. If the force is too large to pull the spring, it will cause permanent deformation. Then please replace the springs.

3. The DY1 and DY3 screens are marked with the "up" and "down" directions when leaving the factory. Please keep in mind when installation .

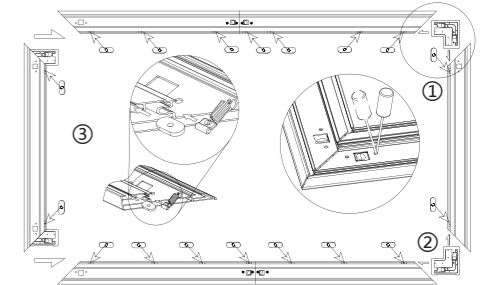
I/a



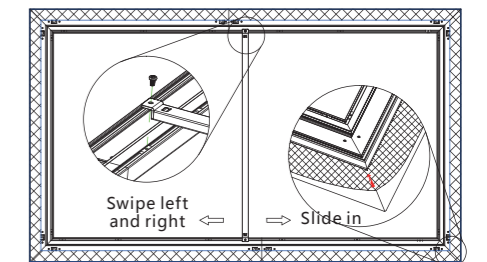
I/b



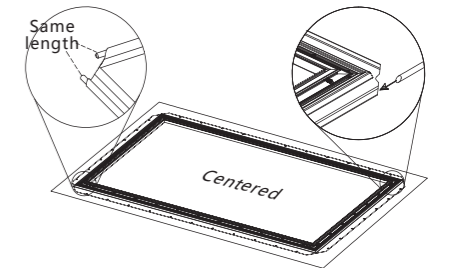
I/c-d



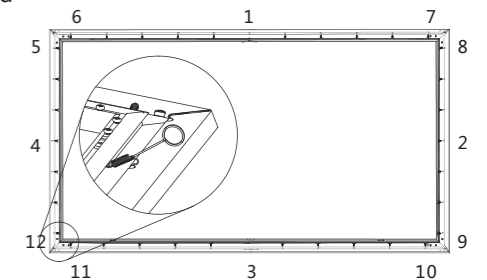
I/e-f



II/a-b



II/c-d



II/e

